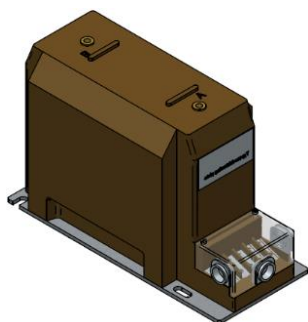
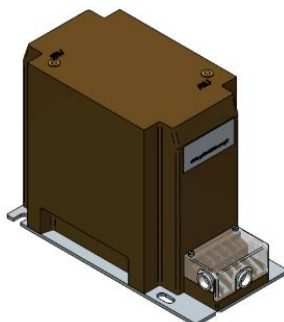


## Double Pole Auxiliary Power UGZ 1/2

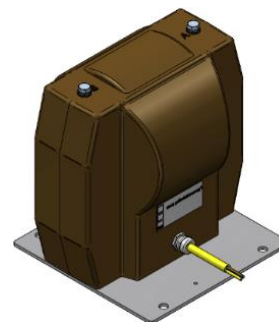
Auxiliary power supply systems are needed to ensure the energy supply for the operation of primary or secondary devices in a station, switchgear or substation. These 230 V devices can be used for e.g. smart grid electronics, air conditioning, heating, lighting, power transformer cooling fans, station battery chargers (DC) and standard wall socket outlets. This set of UGZ instrument double pole voltage transformer generates an output of 230 Volt.



UGZC1



UGZD2



UGZE6

### Ordering Specifications

#### UGZC1

| Article Number | Range  | Ratio          | Winding 1  |                  |
|----------------|--------|----------------|------------|------------------|
| 6V1662         | 7,2 kV | 6.000 / 230 V  | 100VA Cl.3 | Sth : max 650 VA |
| 6V1661         | 7,2 kV | 6.600 / 230 V  | 100VA Cl.3 | Sth : max 650 VA |
| 6V2661         | 12 kV  | 10.000 / 230 V | 100VA Cl.3 | Sth : max 500 VA |
| 6V2662         | 12 kV  | 11.000 / 230 V | 100VA Cl.3 | Sth : max 500 VA |

#### UGZD2

| Article Number | Range  | Ratio          | Winding 1  |                   |
|----------------|--------|----------------|------------|-------------------|
| 6V1664         | 7,2 kV | 6.000 / 230 V  | 100VA Cl.3 | Sth : max 1200 VA |
| 6V1663         | 7,2 kV | 6.600 / 230 V  | 100VA Cl.3 | Sth : max 1200 VA |
| 6V2663         | 12 kV  | 10.000 / 230 V | 100VA Cl.3 | Sth : max 1200 VA |
| 6V2664         | 12 kV  | 11.000 / 230 V | 100VA Cl.3 | Sth : max 1200 VA |
| 6V4661         | 24 kV  | 20.000 / 230 V | 100VA Cl.3 | Sth : max 750 VA  |
| 6V4662         | 24 kV  | 22.000 / 230 V | 100VA Cl.3 | Sth : max 750 VA  |

#### UGZE6

| Article Number | Range  | Ratio          | Winding 1  |                   |
|----------------|--------|----------------|------------|-------------------|
| 6V1668         | 7,2 kV | 6.000 / 230 V  | 100VA Cl.3 | Sth : max 2000 VA |
| 6V1667         | 7,2 kV | 6.600 / 230 V  | 100VA Cl.3 | Sth : max 2000 VA |
| 6V2667         | 12 kV  | 10.000 / 230 V | 100VA Cl.3 | Sth : max 2000 VA |
| 6V2668         | 12 kV  | 11.000 / 230 V | 100VA Cl.3 | Sth : max 2000 VA |
| 6V4260         | 24 kV  | 20.000 / 230 V | 100VA Cl.3 | Sth : max 2000 VA |
| 6V4668         | 24 kV  | 22.000 / 230 V | 100VA Cl.3 | Sth : max 2000 VA |

### Technical Specifications

|   |   |
|---|---|
| <i>Environmental conditions</i>                                     |   |
| This product is designed to be safe under the following conditions: |   |
| Location:   | Indoor use                                      |
| Ambient air temperature:  | -5°C .. +40°C;                                  |
| Storage and transport temperature:                                  | -40°C .. +55°C                                  |
| Relative humidity:  | 5% .. 95%, non condensing                       |
| Altitude:   | Max. 1000m above NN;<br>at >1000m data required |
| <i>Application conditions</i>                                       |   |
| Standard:   | IEC 61869-3                                     |
| IEC 61768-3 specification:  |   |
| Rated voltage factor:   | 1,2 x Un continuous                             |
| Rated frequency:  | 50Hz  |
| Class of insulation:  | E   |
| Rated secondary voltage:  | 230V  |
| Secondary terminal:   | Screw terminals M5 (max. 2,5Nm)                 |

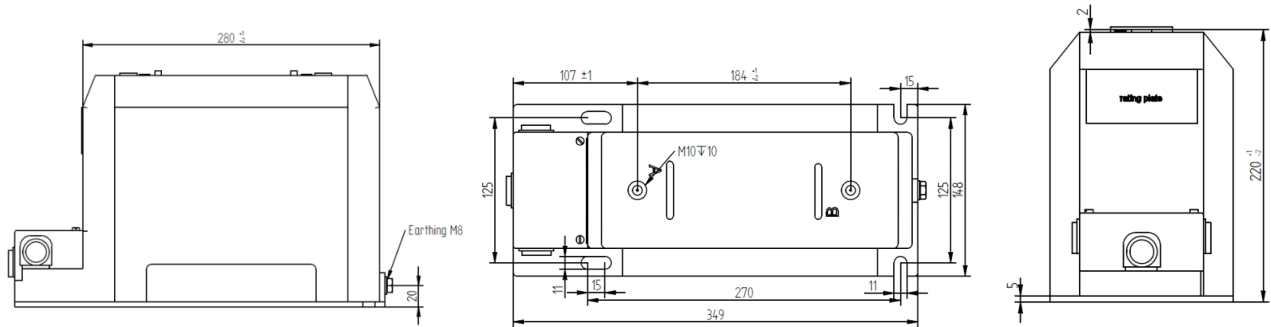
### Wiring Diagram (Example)



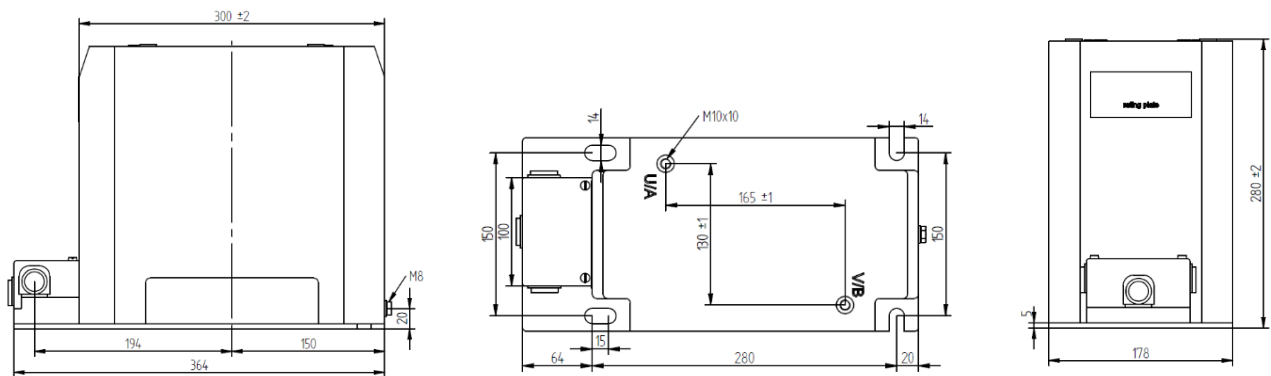
# Double Pole Auxiliary Power UGZ 2/2

## Dimensions

UGZC1



UGZD2



UGZE6

