

Shunts

The shunts of ELEQ are of high quality. Shunts can be used in combination with moving coil instruments to measure direct current. Our standard range of shunts is on stock. Besides, we are specialized in building customized shunts. The standard accuracy class of the shunt is 0.5.



Order specifications*

Ratio	Article number
10A/60mV	390001
25A/60mV	390004
40A/60mV	390006
60A/60mV	390008
100A/60mV	390011
150A/60mV	390014
250A/60mV	390016
400A/60mV	390018
600A/60mV	390021
2500A/60mV	390028

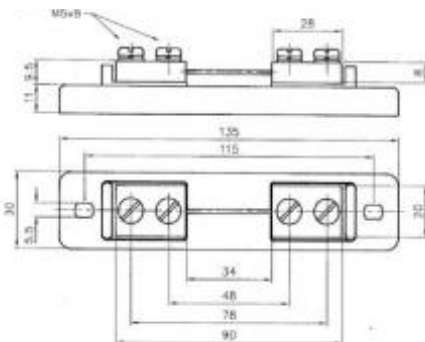
*Other options available on request. Please contact our sales department for the possibilities. sales@eleq.com

Technical specifications

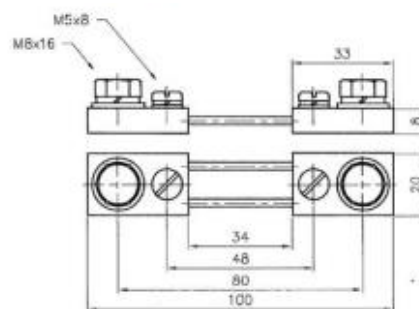
<i>Environmental conditions</i>	
This product is designed to be safe under the following conditions:	
Location:	Indoor use
Ambient temperature:	-10°C .. +55°C
Relative humidity:	5% .. 85%, non condensing
<i>Application conditions</i>	
Standard:	DIN43703
Standard output possibilities:	60mV
Class*:	0,5
Rated short-time thermal current:	Shunts 1-500A: 10 x In/5s Shunts 501-2000A: 5 x In/5s Shunts 2001-15000A: 2 x In/5s
Rated continuous thermal current:	1,2xIn

Dimensions

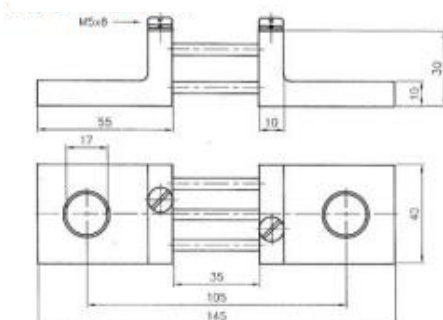
1 t/m 25A 60mV



30 t/m 150A 60mV



250 t/m 600A 60mV



1600 t/m 2500A 60mV

