

MT416 – Universal Measurement Transducer

The MT416 is a freely programmable measurement transducer for measuring and monitoring RMS AC voltage and frequency. The MT416 can be programmed via a USB port. Thanks to the free software, the outputs, power and voltage settings are fully and freely programmable. The MT416 is suitable for auxiliary voltage AC (40-276Vac) or DC (24-300Vdc). Without auxiliary voltage, only some of the unique specifications of this jack-of-all-trades will work. The accuracy of the MT416 is 0.5. The MT416 is optionally available with high-speed analogue output and/or Modbus RS232/RS485 output.

The basic varieties are programmed and are in stock at ELEQ, all other models are quickly available per customer specification.



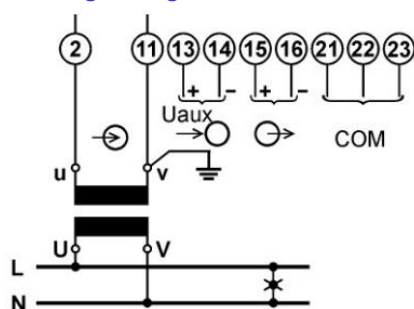
Technical Specifications

Input:	
Nominal voltage:	62,5..600V in normalized ranges
Nominal frequency:	50/60, 400Hz
Overload:	1,2xUn continue 2xUn / 10 second
Power consumption	< 0,1VA
Output:	
Current Output:	4-20mA
Load voltage	10V
Current limitation	<30mA
Voltage Output	0-10mV
Load current	10mA
Voltage limitation	<30V
Accuracy class:	0.5 (IEC 60688)
Ripple:	< 0,4%
Response time:	0-90% & 100-10% <100ms, frequency 300ms
Auxiliary supply:	
Voltage	20-300Vdc, 48-276Vac
Power consumption	<5VA
Safety:	
Impulse test	5kV 1,2/50µs
Insulation test	4kV 50Hz 1min.
Housing protection:	IP20
EMC:	EN61326-1
Usage group	III (IEC60688)
Pollution degree	II (EN61010-1)

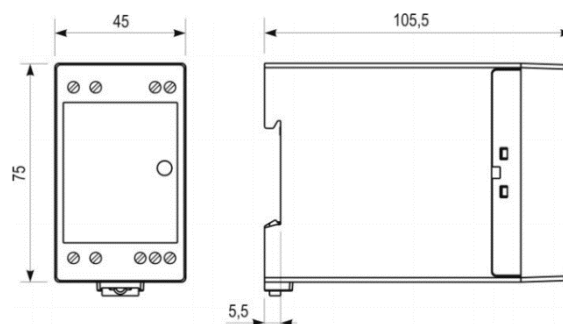
Ordering Specifications

Measuring range	Article number
0-250V	2R5001
0-500V	2R5002
Voltage on customer request (max. 600V L-N)	2R5099
45-55Hz/230V	2R8201
Frequency on customer request (16..400Hz)	2R8299

Wiring Diagram



Dimensions



For all current data about the MT416, we refer you to www.iskra.eu