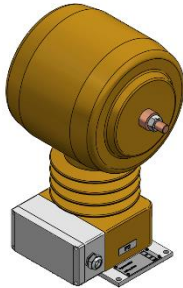


## IGHSF 24 – Head-type Current Transformer

The IGHSF 24 - head-type current transformer is capable to withstanding the outdoor environmental condition. The cast resin insulated outdoor current transformer can be used up to 24 kV, is maintenance-free and mountable only in an upright position. The primary current is connected with an internal bus bar. The secondary windings are used for measurement and/or protection purposes.



### Ordering Specifications

For the customized design of your ELEQ IGHSF 24 current transformer the following information is required:

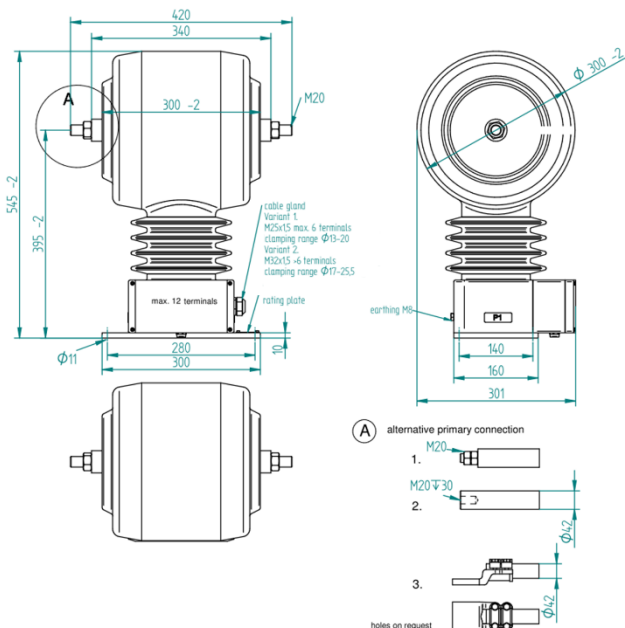
#### Mandatory

- Rated primary current
- Rated secondary current
- Rated output
- Accuracy class
- Frequency

#### Optional

- Multi-core transformers
- Secondary switch-over
- Alternative primary connections
- Other relevant requirements

### Dimensions



### Technical specifications

|   |   |
|---|---|
| <b>Environmental conditions</b>                                     |   |
| This product is designed to be safe under the following conditions: |   |
| Location:   | Outdoor use   |
| Ambient air temperature:  | -40°C .. +50°C; other temperatures on request                     |
| Storage and transport temperature:                                  | -50°C .. +80°C  |
| Relative humidity:  | 5% .. 95%, non condensing   |
| Altitude:   | Max. 1000m above NN; at >1000m data required                      |
| Protection degree (secondary terminal):                             | IP55  |
| <b>Application conditions</b>                                       |   |
| Standard:   | IEC 61869-2 / IEEE C57.13, etc.                                   |
| IEC 61768-2 specification   |   |
| Rated short-time thermal current (I <sub>th</sub> ):                | 100 x I <sub>n</sub> /1s, max. 50kA/1s, other duration on request |
| Rated dynamic current (I <sub>dyn</sub> ):                          | 2,5 x I <sub>th</sub>   |
| Continuous thermal current (I <sub>cth</sub> ):                     | Up to 200% at 1500A   |
| Rated insulation level:   | 24/50/125kV   |
| Rated frequency:  | 50/60Hz   |
| Class of insulation:  | E   |
| Rated primary current:  | 10-3000A  |
| Rated secondary current:  | 1A or 5A; other options available on request                      |
| Rated output:   | As required.<br>For example 15VA                                  |
| Accuracy class:   | As required.<br>For example 0,2; 0,5; 5P20                        |
| Secondary terminal:   | Max. 12 terminals; cable gland M25x1,5                            |

### Wiring diagram IEC 61869-2

