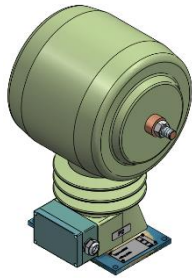


## IGHSF 12 – Head-type Current Transformer

The IGHSF 12 - head-type current transformer is capable to withstanding the outdoor environmental condition. The cast resin insulated outdoor current transformer can be used up to 12 kV, is maintenance-free and mountable only in an upright position. The primary current is connected with an internal bus bar. The secondary windings are used for measurement and/or protection purposes.



### Ordering Specifications

For the customized design of your ELEQ IGHSF 12 current transformer the following information is required:

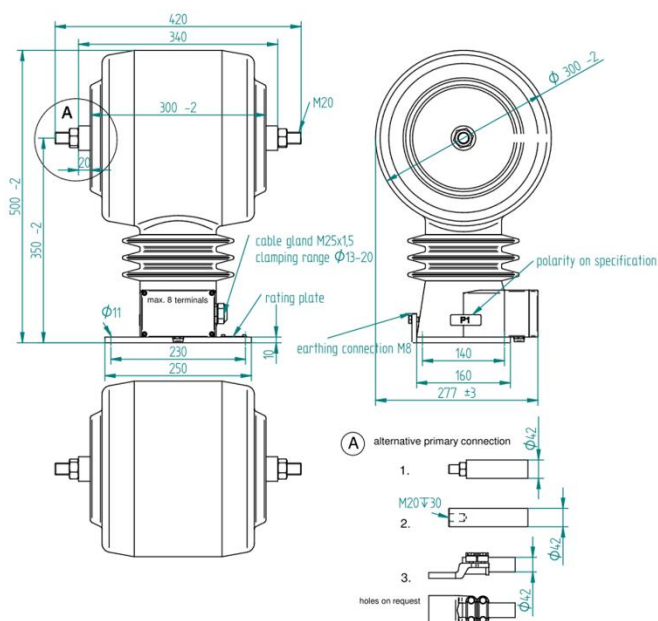
#### Mandatory

- Rated primary current
- Rated secondary current
- Rated output
- Accuracy class
- Frequency

#### Optional

- Multi-core transformers
- Secondary switch-over
- Alternative primary connections
- Other relevant requirements

### Dimensions



### Technical specifications

<b>Environmental conditions</b>	
This product is designed to be safe under the following conditions:	
Location:	Outdoor use
Ambient air temperature:	-40°C .. +50°C; other temperatures on request
Storage and transport temperature:	-50°C .. +80°C
Relative humidity:	5% .. 95%, non condensing
Altitude:	Max. 1000m above NN; at >1000m data required
Protection degree (secondary terminal):	IP55
<b>Application conditions</b>	
Standard:	IEC 61869-2 / IEEE C57.13, etc.
IEC 61768-2 specification	
Rated short-time thermal current (I <sub>th</sub> ):	100 x I <sub>n</sub> /1s, max. 50kA/1s, other duration on request
Rated dynamic current (I <sub>dyn</sub> ):	2,5 x I <sub>th</sub>
Continuous thermal current (I <sub>cth</sub> ):	Up to 200% at 1500A
Rated insulation level:	12/28/75kV
Rated frequency:	50/60Hz
Class of insulation:	E
Rated primary current:	10-3000A
Rated secondary current:	1A or 5A; other options available on request
Rated output:	As required. For example 15VA
Accuracy class:	As required. For example 0,2; 0,5; 5P20
Secondary terminal:	Max. 8 terminals; cable gland M25x1,5

### Wiring diagram IEC 61869-2

