

## FIS96-E, FISD96-E Reed Frequency Meter

E-line reed frequency meters in which the frequency of the incoming signal makes the reeds resonate. Reed frequency meters can measure frequencies from 47 up to 63 Hz. Reed frequency meters have a vibration measuring system in which the reeds are vibrated electromagnetically. The FIS-E is a square model with a black front frame. The E-line provides single (FIS96-E) and double frequency meters (FISD96-E).



### Technical specifications

<b>Environmental conditions</b>	
Location:	Indoor use
Reference temperature range:	+18°C .. +28°C
Nominal temperature range:	-25°C .. +55°C
Relative humidity:	5% .. 80%, non condensing
Protection degree:	Case IP52, terminal contacts IP20**
Measurement category:	CAT. III 300V
<b>Specifications</b>	
Standard:	IEC 60051-4

\*\* IP20 when included protection cover is mounted.

### Order information

#### Customer specific products\*

Please create the ordering information by combining one parameter out of each column line.

Frequency range	Voltage (AC)	Number of Reeds
47-53Hz	110	13
57-63Hz	230	
	400	
	500	
45-55Hz	110	21
55-65Hz	230	
	400	
	500	
2x 47-53Hz	110	2x 13
2x 57-63Hz	230	
	400	
	500	
2x 45-55Hz	110	2x 21
2x 55-65Hz	230	
	400	
	500	

For example:

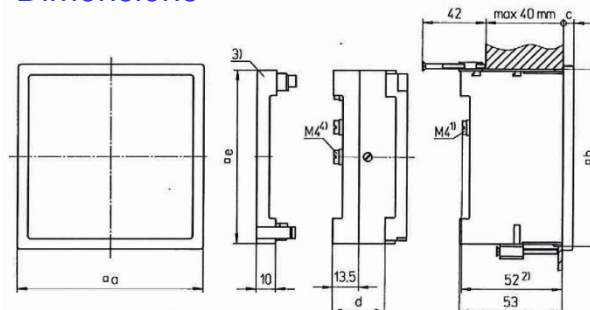
FIS96-E, 47-53Hz, 110V, 13

FIS96D-E, 2x 45-55Hz, 230V, 2x21

\* On request the FIS96-E and FIS96D-E with one reed can be delivered as ship version or with extra markings on the scale.

Please contact our sales department for the possibilities.

### Dimensions



Model	a(mm)	b(mm)	c(mm)	d (mm)	e(mm)
FIS96-E	96	92 <sup>+0,8</sup>	5,5	-	90
FIS96D-E	96	92 <sup>+0,8</sup>	5,5	-	90

