

EM305 – Current Relay

The ELEQ current relay EM305 is suitable for an alternating current of up to 100A. The switching point and speed of response are adjustable. The relay comes standard with an auxiliary supply of 24Vdc. 110Vdc is available as an option. This model is characterized by its speedy switching performance. The current relay is the perfect choice for monitoring production processes of pumps, etc.



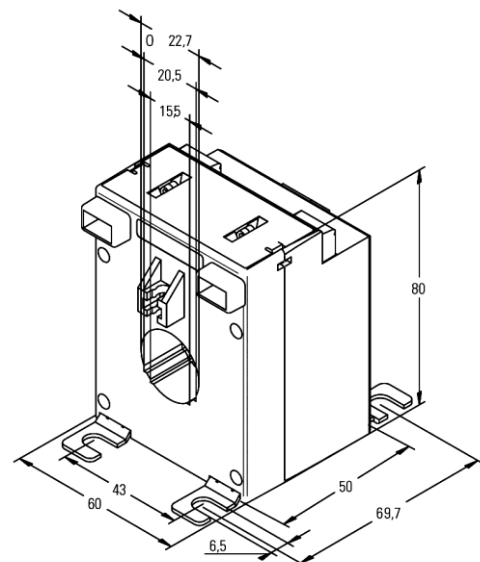
Technical specifications

Power consumption::	19 .. 29Vdc
I-stand-by:	ca. 17mA
I-tripped:	ca. 20mA
Tripping current adjustment:	0,1 .. 1*Is
Frequency range:	15-1000Hz
Make time:	20 .. 500ms
Break time:	>200ms
Hysteresis:	ca. 10%
Overload capacity:	3000A/1s
Maximum current:	100A
Contactmaterial relay:	AgPd
Contact-resistance:	<50mOhm
Optical signal	red LED

Measuring ranges

Is	Tripping-current range:	Order number
2,5A	0,25 .. 2,5A	6E3003
10A	1 .. 10A	6E3004
25A	2,5 .. 25A	6E3005

Dimensions



Wiring Diagram

