

EM303 – Current Relay

The ELEQ current relay EM303 is suitable for an alternating current of up to 100A and has a fixed switching point of 0.5A. Other switching points are available on customer specification. The relay comes standard with an auxiliary supply of 24Vdc. 110Vdc is available as an option. The current relay is ideal for monitoring production processes of pumps, etc.



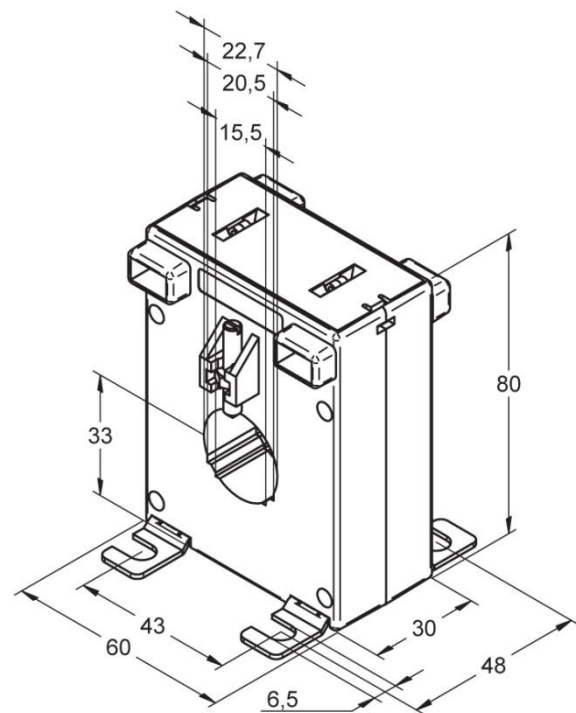
Technical specifications

Power consumption:	17..31V
I-stand-by:	ca. 3mA
I-tripped:	ca. 20mA
Trip point:	0,5A
Make time:	<1,5s if In = 0,5A <40ms if In = 100A
Break time:	<2s if In = 0,5 → 0A <4s if In = 100 → 0A
Hysteresis:	0,1A
Overload capacity:	3000A/1s
Maximum current:	100A
Contactmaterial relay:	AgPd
Contact-resistance:	<50mOhm
Optical signal:	red LED

Measuring ranges

Output	Order-number
normally open contact	6E3001
normally closed contact	6E3099

Dimensions



Wiring Diagram

