

## BIV.-E - Bimetal Maximum Current Meters

Bimetal maximum current E-Line meters with a bimetal measuring system are intended for testing thermal load of transformers, cables, electrical machines, etc. They indicate average rms current value in an 8 minutes setting period. The meters are provided with an interchangeable scale. Additional, 96\*96 meters can be delivered with a build on saturation transformer (BIV..T-E).



### Technical specifications

<b>Environmental conditions</b>	
Location:	Indoor use
Reference temperature range:	+18°C .. +28°C
Nominal temperature range:	-25°C .. +55°C
Relative humidity:	5% .. 80%, non condensing
Protection degree:	Case IP52, terminal contacts IP20**
Measurement category:	CAT. III 300V
<b>Specifications</b>	
Standard:	IEC 60051-1
Accuracy class:	3
Consumption .../1.2A:	Approx. 1,2VA
Consumption .../6A:	Approx. 2,2VA

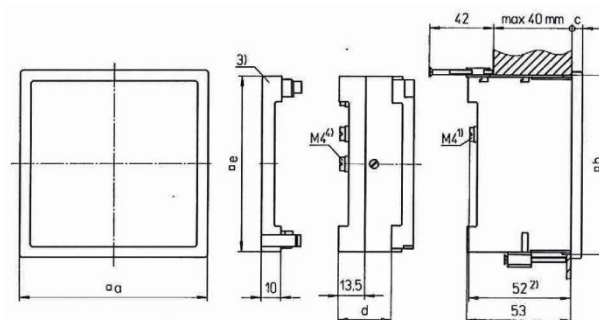
\*\* IP20 when included protection cover is mounted.

### Order information

#### Standard products

Model (/6A)	Scale (A)	BIV72-E	BIV96-E
0-5	0-6	372401E	373401E
100	0-120	372411E	373411E
150	0-180	372413E	373413E
250	0-300	372415E	373415E
400	0-480	372417E	373417E
600	0-720	372419E	373419E
1000	0-1200	372422E	373422E

### Dimensions



Model	a(mm)	b(mm)	c(mm)	d (mm)	e(mm)
BIV48-E	48	45 <sup>+0,6</sup>	5	-	42,5
BIV72-E	72	68 <sup>+0,8</sup>	5,5	-	66,5
BIV96-E	96	92 <sup>+0,8</sup>	5,5	-	90

#### Customer specific products\*

Please create the ordering information by combining one parameter out of each column.

Size	Input (A)	Ratio transformer
48 * 48	1	Please specify the ratio of the current transformer
72 * 72	1.2	
96 * 96 <sup>1</sup>	5	
	6	

For example: BIV48-E, 6A, 100/5A, 0-120A

\* On request the BIV96-E can be delivered with a build on saturation transformer (please add a 'T' to your ordering specifications: BIV96T-E).

Please contact our sales department for the possibilities

