

## BEIV..-E Combined Bimetal Maximum Current Meters

Combined bimetal maximum current E-Line meters are provided with a built-in bimetal system and a system with a moving iron. The meters are intended for testing momentary and thermal load of transformers, cables, electrical machines, etc. The accuracy class for average rms current value is 3, and for momentary value 1.5. The meters are provided with an interchangeable scale. Additional, 96\*96 meters can be delivered with a build on saturation transformer (BEIV..T-E).



### Technical specifications

<b>Environmental conditions</b>	
Location:	Indoor use
Reference temperature range:	+18°C .. +28°C
Nominal temperature range:	-25°C .. +55°C
Relative humidity:	5% .. 80%, non condensing
Protection degree:	Case IP52, terminal contacts IP20**
Measurement category:	CAT. III 300V
<b>Specifications</b>	
Standard:	IEC 60051-2
Accuracy class bimetal system:	3
Accuracy class moving-iron:	1,5
Consumption .../1.2A:	Approx. 1,8VA
Consumption .../6A:	Approx. 2,8VA

\*\* IP20 when included protection cover is mounted.

### Order information

#### Customer specific products\*

Please create the ordering information by combining one parameter out of each column.

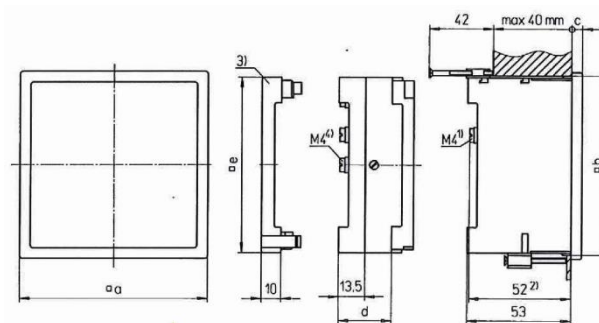
Size	Input (A)	Ratio transformer
72 * 72	1	Please specify the ratio of the current transformer
96 * 96	1.2	
	5	
	6	

For example: BEIV72-E, 6A, 100/5A, schaal: 0-120A

\* On request the BEIV96-E can be delivered with a build on saturation transformer (please add a 'T' to your ordering specifications: BEIV96T-E).

Please contact our sales department for the possibilities.

### Dimensions



Model	a(mm)	b(mm)	c(mm)	d (mm)	e(mm)
BEIV72-E	72	68 <sup>+0,8</sup>	5,5	-	66,5
BEIV96-E	96	92 <sup>+0,8</sup>	5,5	-	90

