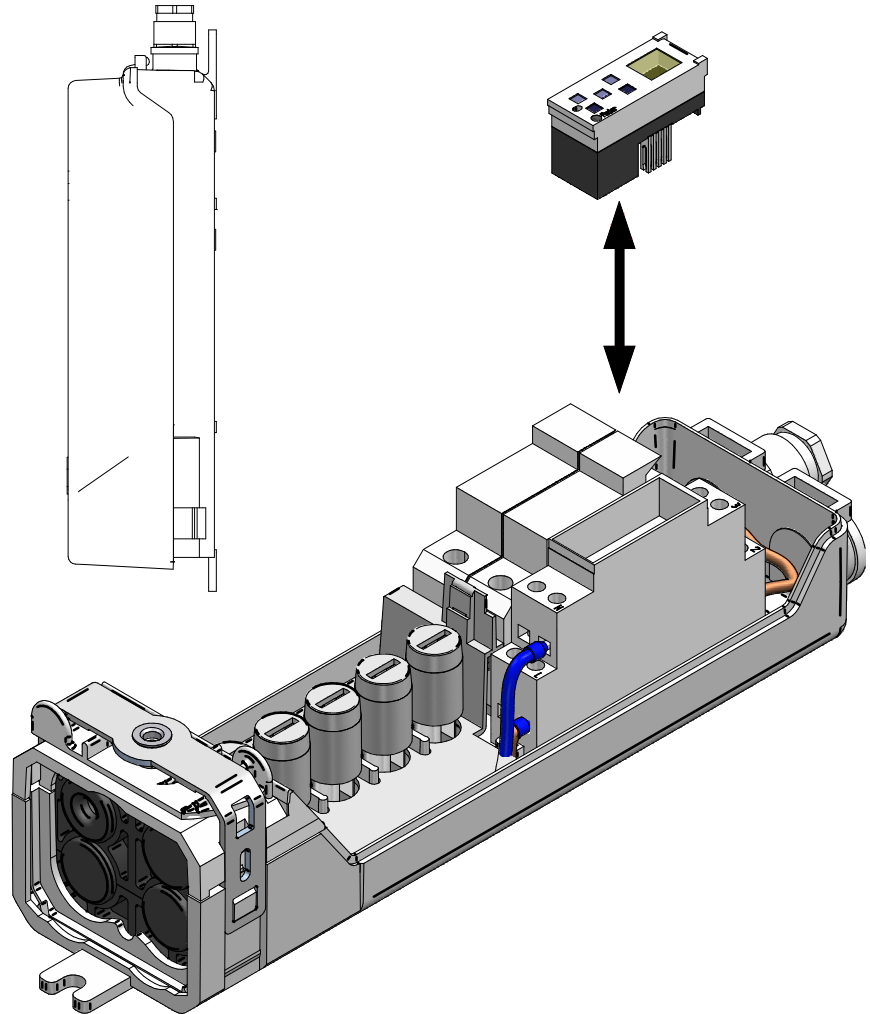
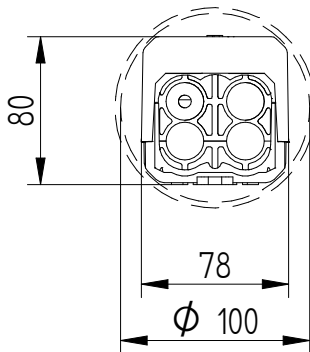
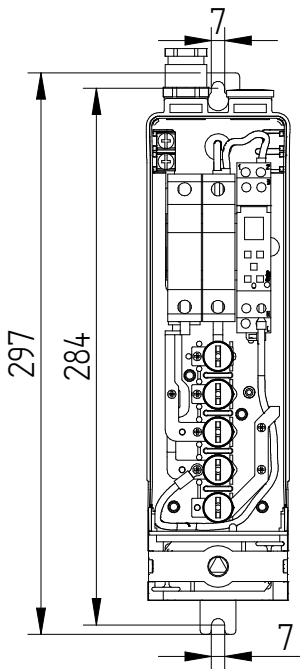


# LS-100 Clock

## 5L8028



### Specifications

Type	: LS-100
Article number	: 5L8028

### Technical specifications

Minimum inside diameter	: 100 mm
Looping through	: Yes
Suitable for	: 2x Fuse (10x38mm)
Including fuse	: Yes, 2x 6A
Number of terminals	: 5 Pcs; 3x phase, zero, Earth
Max. wire cross section	: 2x 16mm <sup>2</sup>
Strain relief	: Yes, max. 4 cables 18mm
Earth-neutral connection	: No
Double insulated	: Yes
Protection	: IP55, IK10

### Details

Finder programmable  
astronomic clock included  
(easily removable)  
1 fuse for public lighting  
1 fuse and clock for  
architectural lighting

### Packing

12 Pcs in box or 216 Pcs per pallet  
Deliverable from stock

### Can be combined with

5L9970, 71, 72	: Profile for LS-100
5L9950	: Cable bending tool
5L9960	: Triangle key for LS-100

### Use

Suitable for irregular switching regimes  
as for spotlights for architectural lighting

