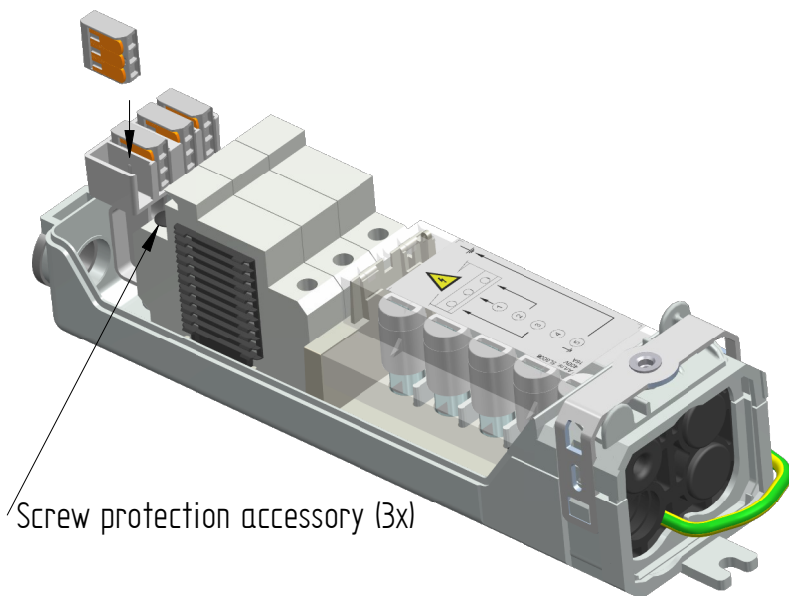
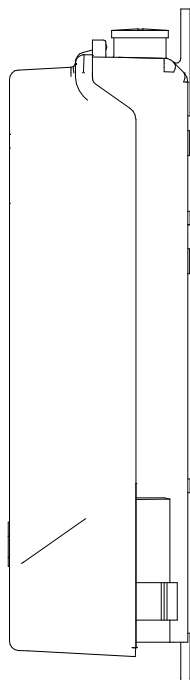
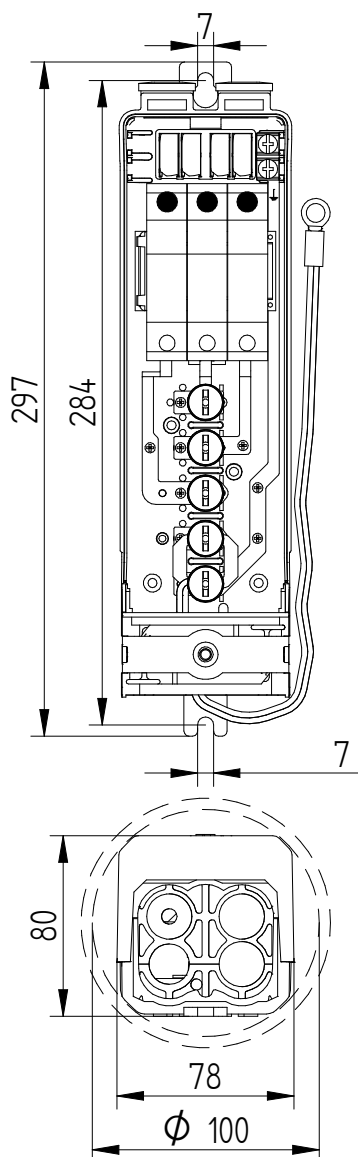




mastering electricity
worldwide

LS-100

5L8006



Screw protection accessory (3x)

Specifications

Brand	: ELEQ
Type	: LS-100
Article number	: 5L8006

Technical specifications

Minimum inside diameter	: 100 mm
Looping through	: Yes
Including	: 3x Tube fuse (10x38mm)
Fuse included	: 2x plug M20x1,5
Number of terminals	: 5 Pcs; 3x phase, 1 neutral, 1 earth
Max. connection per terminal	: 2x 16mm ²
Strain relief	: Yes, max. 4 cables 18mm
Earth-neutral connection	: Yes, incl. earth litze
Double isolated	: No
Protection degree	: IP55, IK10

Details

Incl. cable routing for 10 aders 1,5mm² (cl. 5)
Delivered with clampmodule (5L9304)
Suitable for 4x Wago 221-143 (Included)
Max. connection per terminal 0.2 ... 4 mm² (3x)
Consult www.wago.com for more information about 221-43

Packing

12 Pcs in a box or 216 Pcs per pallet
Delivery from stock

To combine with

5L9970, 71, 72	: Profile tube
5L9950	: Cable pliers
5L9960	: Triangular Key for LS-100

