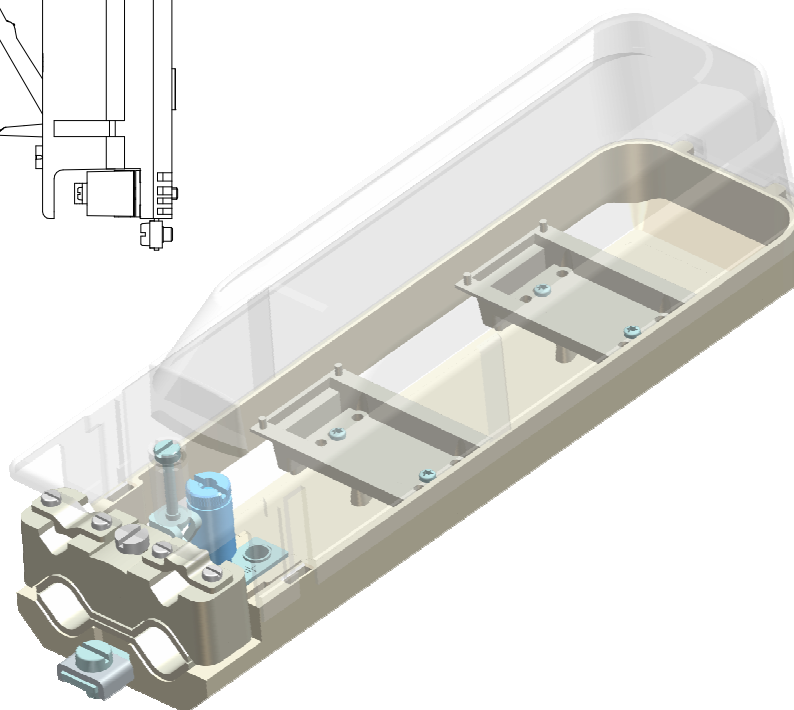
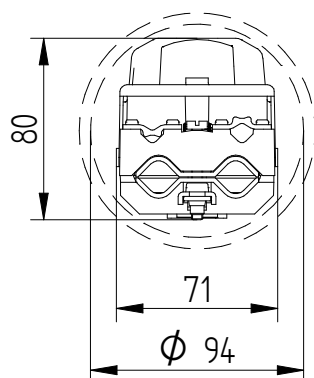
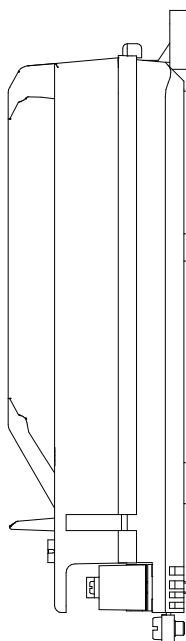
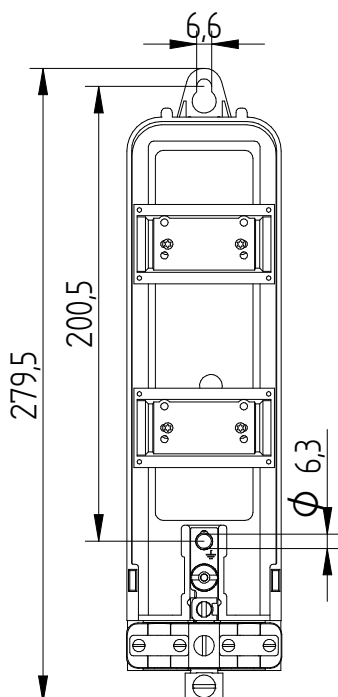




mastering electricity
worldwide

LS-94

5L6003



Specifications

Type : LS-94
Article number : 5L6003

Technical specifications

Minimum inside diameter : 94mm
Included with : 2 Pcs DIN-rail
Strain relief : Yes, max. two ground cables
23mm and 2 lightmast cords

Packing

20 Pcs in a box or 480 Pcs per pallet
Deliverable from stock

