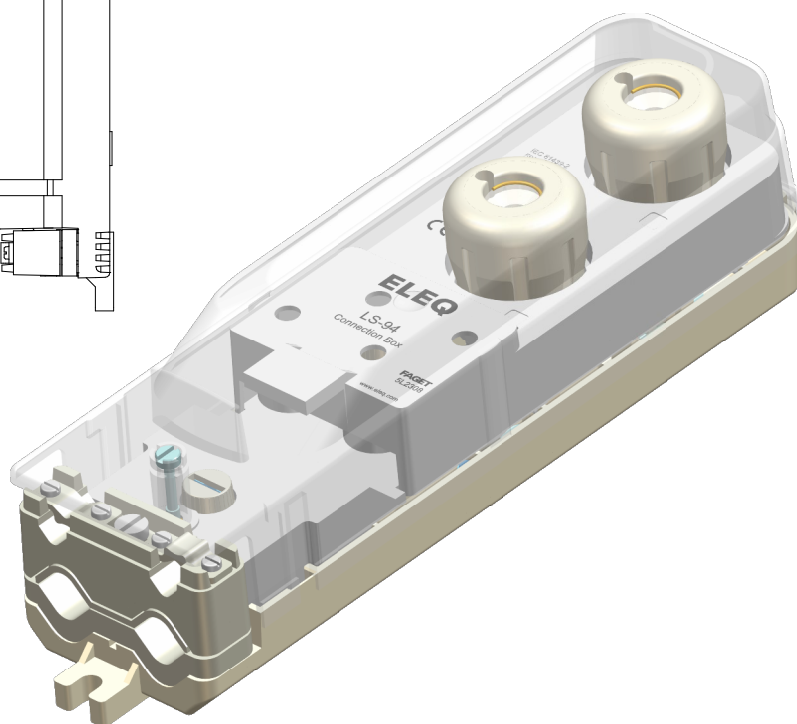
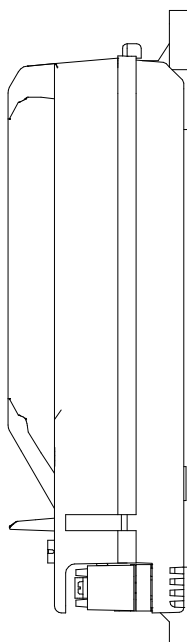
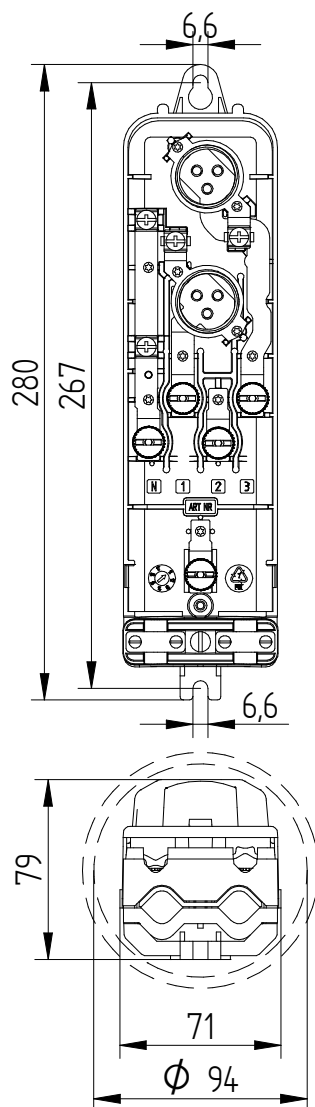




mastering electricity  
worldwide

# LS-94

## 5L2308



### Specifications

Type : LS-94  
Article number : 5L2308

### Technical specifications

Minimum inside diameter : 94mm  
Looping through : Yes  
Suitable for : 2x E27 Fuse (DII)  
Including fuse : Yes, 2x 2A  
Number of terminals : 5 Pcs; 3x phase, zero, Earth  
Max. wire cross section : 2x 10mm<sup>2</sup>, or 3x 6mm<sup>2</sup>  
Strain relief : Yes, max. two ground cables 23mm and 2 lightmast cords  
Earth-neutral connection : No  
Automatic Earthing : No

### Details

Measurement possibilities  
Integrated adaptor ring  
Double insulated

### Packing

6 Pcs in box or 504 Pcs per pallet  
Deliverable from stock

### Use

Suitable for lightpoles and stainless steel boxes

