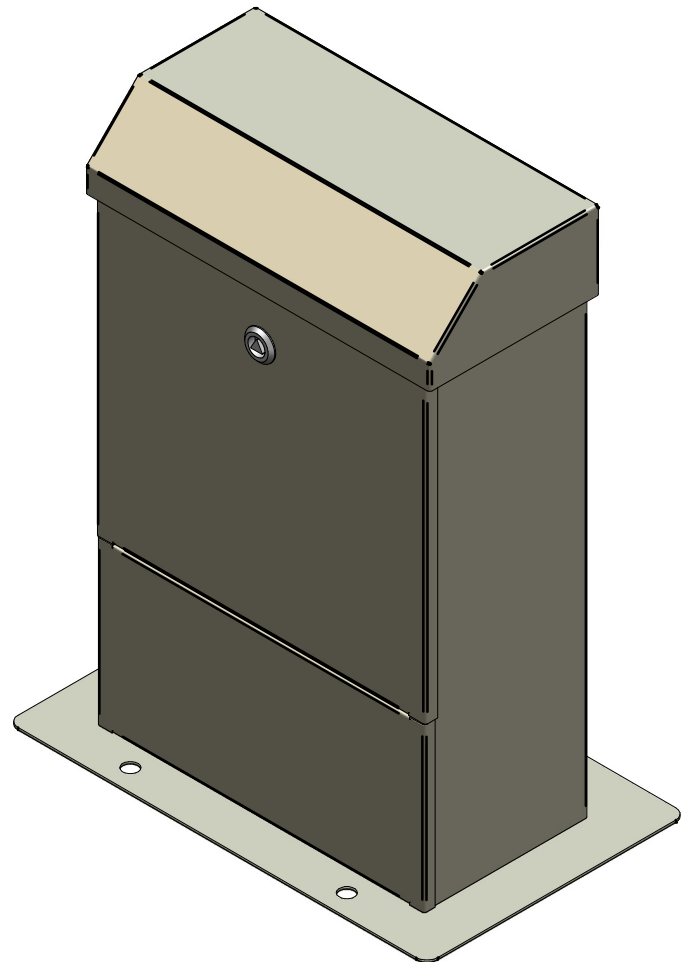
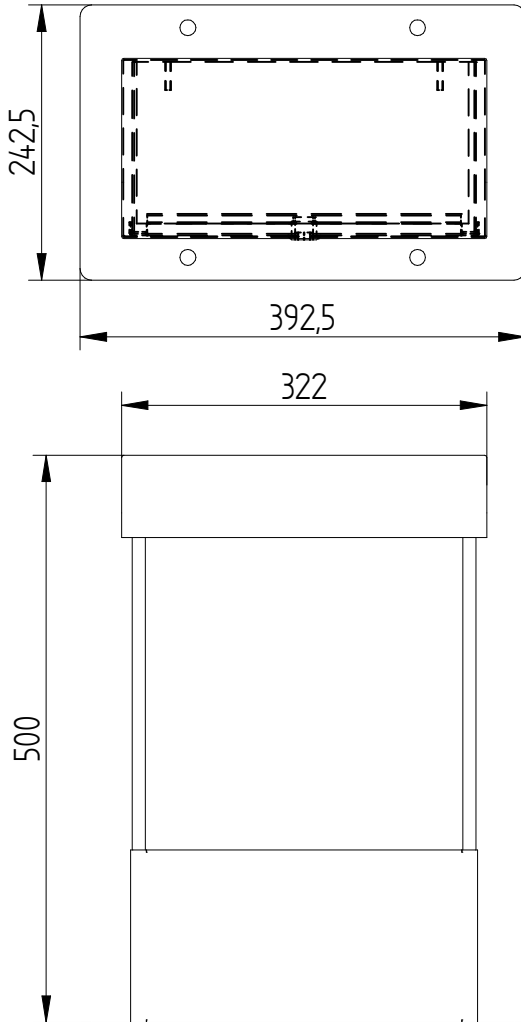




mastering electricity
worldwide

Stainless steel pillar box 2RVS70



Specifications

Type : Stainless steel pillar box with flange
Article number : 2RVS70

Technical specifications

Material : Stainless steel 304 1,25mm
Colour : RAL 7032
Dimension : 300x150x500 mm
Connection : Through bottom side
Fixing : Flange with 4 holes 8 mm
Lock : Stainless steel triangle lock
Inside suited with : 4x mounting stud

Details

All Ral-colours possible

Packing

Packed in airfoil
5 weeks delivery period

Can be combined with

5L9961 : Triangle key 10mm

Use

Placement on concrete foundation

