

UGZ D1 – Double Pole Voltage Transformer (1/2)

The UGZ D1 is a cast-resin insulated indoor double-phase voltage transformer suitable for medium voltage switchgears. The transformer is able to measure voltage up to 12kV. The voltage transformer is maintenance-free and mountable in any position.



Ordering Specifications

For the customized design of your ELEQ UGZ D1 voltage transformer the following information is required:

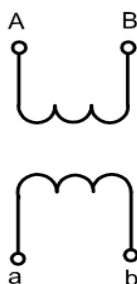
Mandatory

- Rated primary voltage
- Rated secondary voltage
- Rated output
- Accuracy class
- Frequency

Optional

- Other relevant requirements

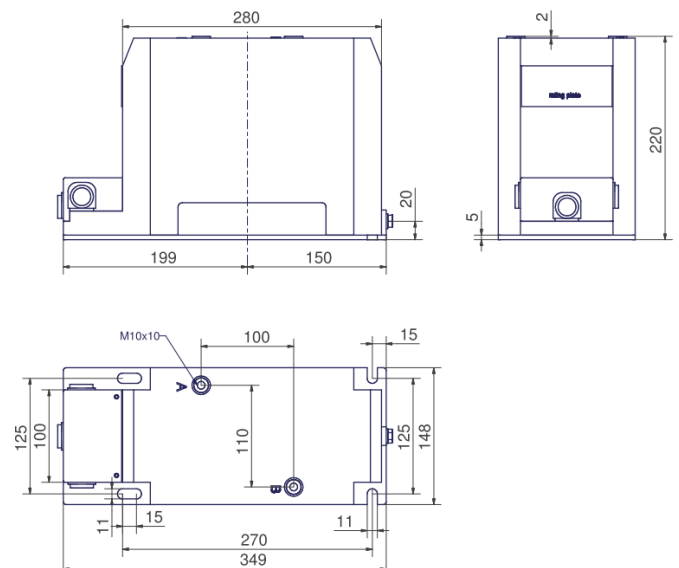
Wiring Diagram IEC 61869-3 e.g.



Technical Specifications

Environmental conditions	
This product is designed to be safe under the following conditions:	
Location:	Indoor use
Ambient air temperature:	-5°C .. +40°C; other temperatures on request
Storage and transport temperature:	-40°C .. +55°C
Relative humidity:	5% .. 95%, non condensing
Altitude:	Max. 1000m above NN; at >1000m data required
Protection degree (secondary terminal):	IP20
Application conditions	
Standard:	IEC 61869-3 / IEEE C57.13; GOST 1983-2001 etc.
IEC 61768-3 specification:	
Rated thermal limiting output (Sth):	See table on page 2
Rated voltage factor:	1,2 x Un continuous
Rated insulation level:	Max. 12/28/75kV
Rated frequency:	50/60Hz
Class of insulation:	E
Rated primary voltage:	1,2kV - 11kV; other options available on request
Rated secondary voltage:	100V, 110V, 230V; other options available on request
Rated output:	As required.
Accuracy class:	As required.
Secondary terminal:	Screw terminals M5 (max. 2,5Nm)

Dimensions



UGZ D1 – Double Pole Voltage Transformer (1/2)

* Maximum burden per class

Primary Voltage	Secondary Voltage					
	230V		110V		100V	
3,0 kV	500 VA 200 VA 120 VA 60 VA 30 VA	Sth Class 3 Class 1 Class 0,5 Class 0,2	500 VA 200 VA 120 VA 60 VA 30 VA	Sth Class 3 Class 1 Class 0,5 Class 0,2	500 VA 200 VA 120 VA 60 VA 30 VA	Sth Class 3 Class 1 Class 0,5 Class 0,2
3,3 kV	500 VA 200 VA 120 VA 60 VA 30 VA	Sth Class 3 Class 1 Class 0,5 Class 0,2	500 VA 200 VA 120 VA 60 VA 30 VA	Sth Class 3 Class 1 Class 0,5 Class 0,2	500 VA 200 VA 120 VA 60 VA 30 VA	Sth Class 3 Class 1 Class 0,5 Class 0,2
6,0 kV	500 VA 200 VA 120 VA 60 VA 30 VA	Sth Class 3 Class 1 Class 0,5 Class 0,2	400 VA 200 VA 120 VA 60 VA 30 VA	Sth Class 3 Class 1 Class 0,5 Class 0,2	400 VA 200 VA 120 VA 60 VA 30 VA	Sth Class 3 Class 1 Class 0,5 Class 0,2
6,6 kV	500 VA 200 VA 120 VA 60 VA 30 VA	Sth Class 3 Class 1 Class 0,5 Class 0,2	400 VA 200 VA 120 VA 60 VA 25 VA	Sth Class 3 Class 1 Class 0,5 Class 0,2	400 VA 200 VA 120 VA 60 VA 25 VA	Sth Class 3 Class 1 Class 0,5 Class 0,2
10 kV	500 VA 200 VA 120 VA 60 VA 30 VA	Sth Class 3 Class 1 Class 0,5 Class 0,2	400 VA 200 VA 120 VA 60 VA 25 VA	Sth Class 3 Class 1 Class 0,5 Class 0,2	400 VA 200 VA 120 VA 60 VA 25 VA	Sth Class 3 Class 1 Class 0,5 Class 0,2
11 kV	500 VA 200 VA 120 VA 60 VA 30 VA	Sth Class 3 Class 1 Class 0,5 Class 0,2	400 VA 200 VA 120 VA 60 VA 25 VA	Sth Class 3 Class 1 Class 0,5 Class 0,2	400 VA 200 VA 120 VA 60 VA 25 VA	Sth Class 3 Class 1 Class 0,5 Class 0,2