

UGECAKT..D2 – Auxiliary Power Supply

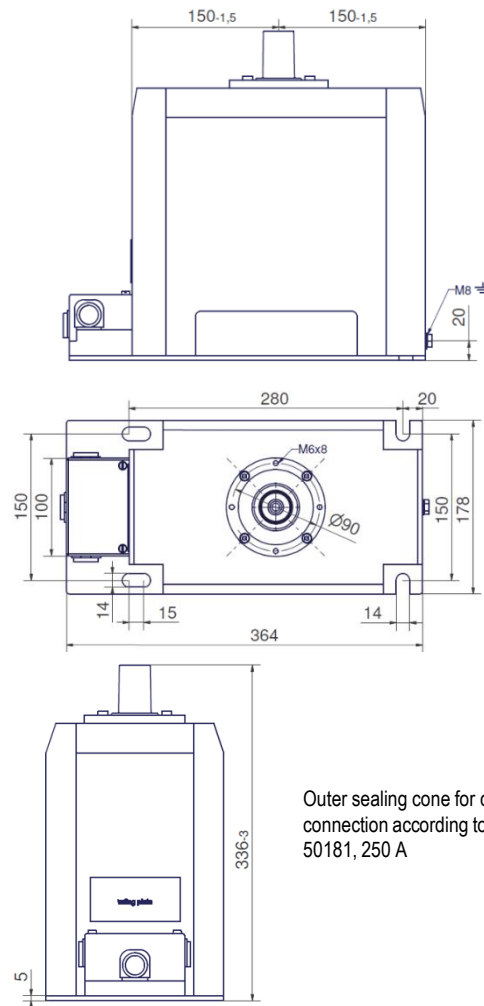
Auxiliary power supply systems are needed to ensure the energy supply for the operation of primary or secondary devices in a station, switchgear or substation. These devices typically include: smart grid electronics, air conditioning, heating, lighting, power transformer cooling fans, station battery chargers (DC) and standard wall socket outlets. This single pole voltage transformer generates an output of 230 Volt.



Technical Specifications

Application	Switchgear
Rated insulation voltage	Up to 24/50/125kV
Maximum rated primary voltage	22 / $\sqrt{3}$ kV
Rated voltage factor	1,9 x Un for 8 h continuously
Secondary voltages	230V, other options available on request
Rated output	See table
Rated frequency	As required. For example 50-60Hz
Class of insulation	E
Secondary terminals	Protected with a sealable cover, degree of protection IP 20

Dimensions



Ordering Specifications*

Input	50/60 Hz	Article number
1,5 kV	750 VA	On request
3,0 kV	750 VA	On request
6,3 kV	750 VA	On request
6,6kV	750 VA	On request
7,2 kV	600 VA	On request
10 kV	600 VA	On request
11 kV	600 VA	On request
13,8 kV	600 VA	On request
17,5 kV	600 VA	On request
20 kV	600 VA	On request
22 kV	600 VA	On request

* On request other inputs and burdens are possible.

Wiring Diagram (Example)

