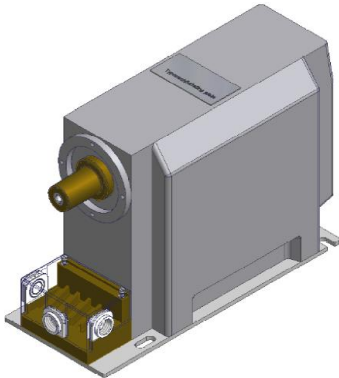


UGECAK..D1.E – Medium Voltage Insulated Voltage Transformer

The UGECAK..D1.E is a medium voltage insulated voltage transformer with screening against electric fields which enables mounting with no phase distance. This product is cast resin insulated and touch-proofed. The transformer is able to measure voltage up to 12kV and is suitable for front- or top conus. The UGECAK..D1.E is equipped with conical socket connection on the front according to DIN EN 50181. The voltage transformer can be used for switchgear, is maintenance-free and mountable in any position. The secondary terminals are protected with a sealable cover with a degree of protection of IP 20. The product is GOST approved.



Ordering Specifications*

Range	Ratio	Winding 1	Winding 2	Article number
12kV	10.000:√3 / 100:√3 / 100:3	0-7,5VA cl 0.2	30VA 3P	6V2150
12kV	10.000:√3 / 110:√3 / 100:3	0-7,5VA cl 0.2	30VA 3P	6V2101
12kV	11.000:√3 / 110:√3 / 100:3	0-7,5VA cl 0.2	30VA 3P	6V2111
12kV	11.000:√3 / 100:√3 / 100:3	0-7,5VA cl 0.2	30VA 3P	6V2112

* To order the customized UGECAK..D1.E we require several specifications. In the table 'technical specifications' the possibilities per specification are shown.

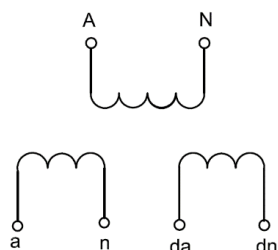
Mandatory

- Rated primary voltage
- Rated secondary voltage
- Rated output
- Accuracy class
- Frequency

Optional

- Other relevant requirements

Wiring Diagram



Technical Specifications

Application	Switchgear
Standard	IEC61869-3, VDE 0414
Rated insulation voltage	Up to 12/28/75kV
Maximum rated primary voltage	11 / √3 kV
Rated voltage factor	1,9 x Un for 8 h; 1,2 x Un continuous
Secondary voltages	100 / √3 V or 110 / √3 V, other options available on request
Rated output	As required For example 2,5, 5, 10, 15, 30VA
Accuracy class	As required. For example 0,2, 3P
Rated terminal limiting output Sth	500VA Measuring winding 100VA Auxiliary winding
Rated frequency	As required. For example 50-60Hz
Class of insulation	E
Secondary terminals	Protected with a sealable cover, degree of protection IP 20

Dimensions

