

TQ40-C 333 mV Low Power Split-core Current Transformer

The very compact TQ40 split-core current transformer from ELEQ is especially designed for connection to digital measurement systems. The TQ40 is supplied with color coded leads. The accuracy class 1 for all these CT's are perfect for high accurate kWh measurements. Correct closing of the current transformer is guaranteed by a distinct sound of "click". For fixation two tie wraps are supplied that are easily mounted around the primary conductor.



Technical Specifications

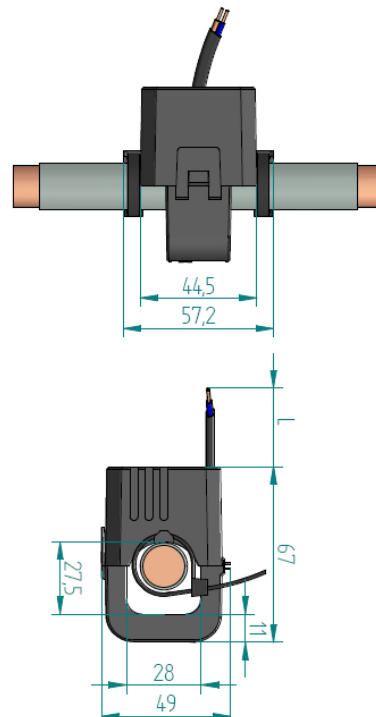
Environmental conditions	
This product is designed to be safe under the following conditions:	
Location:	Indoor use
Operating temperature:	-10 °C .. +55 °C
Relative humidity:	5% .. 85%, non condensing
Protection degree:	IP20
Only suitable for insulated primary conductors.	
Application conditions	
Standard:	IEC 61869-10 (LPCT)
Rated short-time thermal current::	40 x I _n / 1s
Extended current:	120%
Rated insulation level:	0,72/3/5/- kV
Rated frequency:	50/60Hz
Class of insulation:	E (120 °C)
Primary window dimensions:	For conductor max. Ø 28 mm
Secondary leads:	.../333 mV: L=3 m cable 0,50 mm ²
Overvoltage category:	CAT IV 600 V

Ordering Specifications

Ratio	Class	Burden	Article Number
150A/333mV	1	2MΩ, 50pF	4P4C68
200A/333mV	1	2MΩ, 50pF	4P4C69
250A/333mV	1	2MΩ, 50pF	4P4C70
400A/333mV	1	2MΩ, 50pF	4P4C40

For other specifications, please contact us at sales@eleq.com

Dimensions



Wiring Diagram

