

TQ30 Split-core Current Transformer

The very compact ELEQ TQ30 split-core current transformer is especially designed for connection to digital measurement systems. The TQ30 is supplied with color coded secondary leads. All current transformers are capable of supplying the specified burden at the end of the secondary leads. Correct closing of the current transformer is guaranteed by a distinct sound of a "click". Two ty-raps are supplied with the current transformer which can be easily mounted around the primary conductor.



Technical Specifications

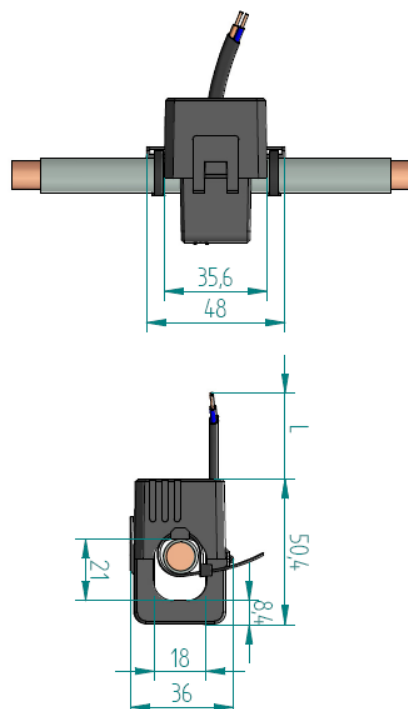
<i>Environmental conditions</i>	
This product is designed to be safe under the following conditions:	
Location:	Indoor use
Operating temperature:	-10 °C .. +55 °C
Relative humidity:	5% .. 85%, non condensing
Protection degree:	IP20
Only suitable for insulated conductors.	
<i>Application conditions</i>	
Standard:	IEC61869-2
Rated short-time thermal current:	60 x In / 1s
Continuous thermal current (Icth):	100%
Rated insulation level:	0,72/3/- kV
Rated frequency:	50/60 Hz
Class of insulation:	E (120 °C)
Primary window dimensions:	for conductor max. Ø 18 mm
Secondary leads:	3 meter cable, 0,5 mm ² flexible
Overvoltage category:	CAT IV 300 V

Ordering Specifications

Ratio	Class	Burden ¹⁾	Article number
60/1A	3	0,2VA	4Q3B02
75/1A	3	0,2VA	4Q3B03
100/1A	3	0,2VA	4Q3B05
125/1A	3	0,2VA	4Q3B07
150/1A	3	0,2VA	4Q3B08
200/1A	1	0,2VA	4Q3B09
250/1A	1	0,2VA	4Q3B10

1) Burden specified at the end of the secondary leads

Dimensions



Wiring Diagram

