

TQ30 333 mV – Split-Core Current Transformer

The very compact ELEQ TQ30 split-core current transformer is especially designed for connection to digital measurement systems. The TQ30 is supplied with color coded secondary leads. All current transformers are capable of supplying the specified burden at the end of the secondary leads. Correct closing of the current transformer is guaranteed by a distinct sound of a “click”. Two ty-raps are supplied with the current transformer which can be easily mounted around the primary conductor.



Technical specifications

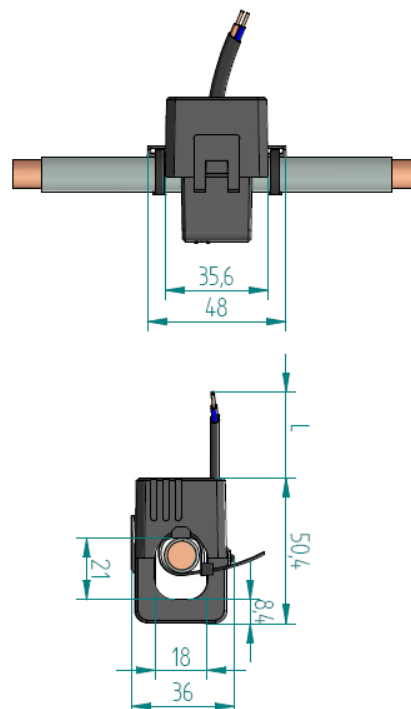
<i>Environmental conditions</i>	
This product is designed to be safe under the following conditions:	
Location:	Indoor use
Operating temperature:	-10 °C .. +55 °C
Relative humidity:	5% .. 85%, non condensing
Protection degree:	IP20
Only suitable for insulated conductors.	
<i>Application conditions</i>	
Standard:	IEC 61869-10 (LPCT)
Rated short-time thermal current:	40 x I _n / 1s
Continuous thermal current (I _{cth}):	100%
Rated insulation level:	0,72/3- kV
Rated frequency:	50/60 Hz
Class of insulation:	E (120 °C)
Primary window dimensions:	for conductor max. Ø 18 mm
Secondary leads:	.../333 mV: L=3m cable 0,50 mm ²
Overvoltage category:	CAT IV 300 V

Order specifications*

Ratio	Class	Burden	Article number
60A/333mV	3	2MΩ, 50pF	4P3B62
100A/333mV	3	2MΩ, 50pF	4P3B65

For other specifications, please contact us at sales@eleq.com

Dimensions



Wiring Diagram

