

SVA170 B 110 – Cast-resin Current Transformer

The SVA170 is specially designed for application in medium voltage installations as Ring Main Units. This cast measuring transformer is cost effective and very reliable. Multi-core and multi ratio types are available in measuring and protection classes.



Technical specifications

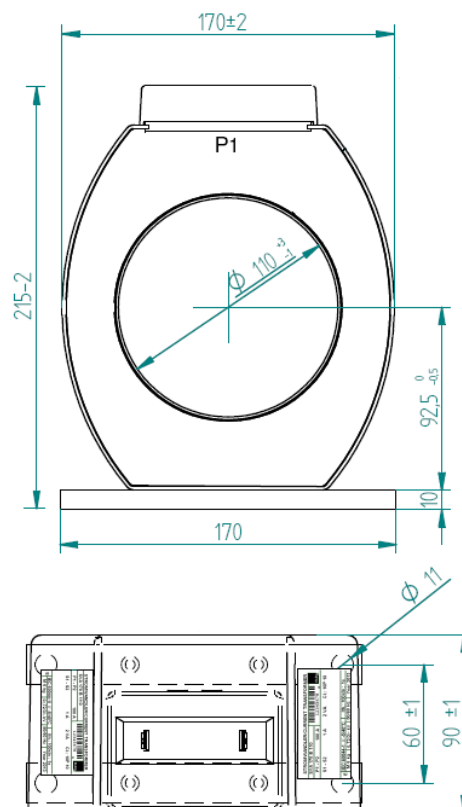
<i>Environmental conditions</i>	
This product is designed to be safe under the following conditions:	
Location:	Indoor use
Ambient temperature:	-5°C .. +40°C
Relative humidity:	5% .. 85%, non condensing
Protection degree:	IP20
Suitable for:	Cables, bus-bar
<i>Application conditions</i>	
Standard:	IEC 61869-2
Rated short-time thermal current (I _{th}):	60 x I _n /1s
Continuous thermal current (I _{th}):	100%
Rated insulation level:	0,72/3/-kv
Rated frequency:	50/60Hz
Class of insulation:	E
Primary current	30-1000A
Primary window dimensions:	Ø 110mm
Secondary terminal:	Screw terminals (max. 2Nm) Wire diameter max. 6mm ² solid max 4mm ² stranded

Ordering specifications

Ratio	Class	Burden	Article number
100/1A	10P10	2VA	106532

On request are other specifications for measuring and protection classes possible. Also multi-core and multi ratio types can be made on request.

Dimensions



Wiring diagram

