

MT440 – Universal Measurement Transducer

The MT440 is a freely programmable measurement transducer for measuring and monitoring single-phase or three-phase electrical networks for the purpose of industry or marine applications (BV approval). The MT440 is available with up to four digital outputs that can be easily configured as analogue, relay, pulse or alarm outputs. In addition, an RS232 or RS485 Modbus RTU communication is available for digitally reading all electrical quantities. By using the free MiQuen software, the outputs, power and voltage settings are fully and freely programmable. This is done using the USB connector on the backside. Optionally, the MT440 is also available with high-speed analogue outputs.



Technical Specifications*

Environment conditions This product is safe for use under the following circumstances: Location: Indoors Environment temperature (use): -30°C .. +70°C Environment temperature (storage): -40°C .. +70°C Relative humidity: 0% .. 90% RH Degree of protection: IP20	
Specifications Measurement accuracy: IEC60688:2013 Capacity: 0,50% Energy: Class 1 Reactive energy: Class 2 Power: 0,3% Voltage: 0,3%	
Maximal 4 I/O modules (analogue output/alarm/pulse/relays) Power supply: 20-300Vdc, 48-276Vac of 400Vac Voltage measurement: 2-600V Current measurement: 0-12,5A Suitable for 3 phases net without zero: Yes Suitable for 4 quadrant measurement: Yes Communication: RS232/RS485 Communication protocol: Modbus RTU	

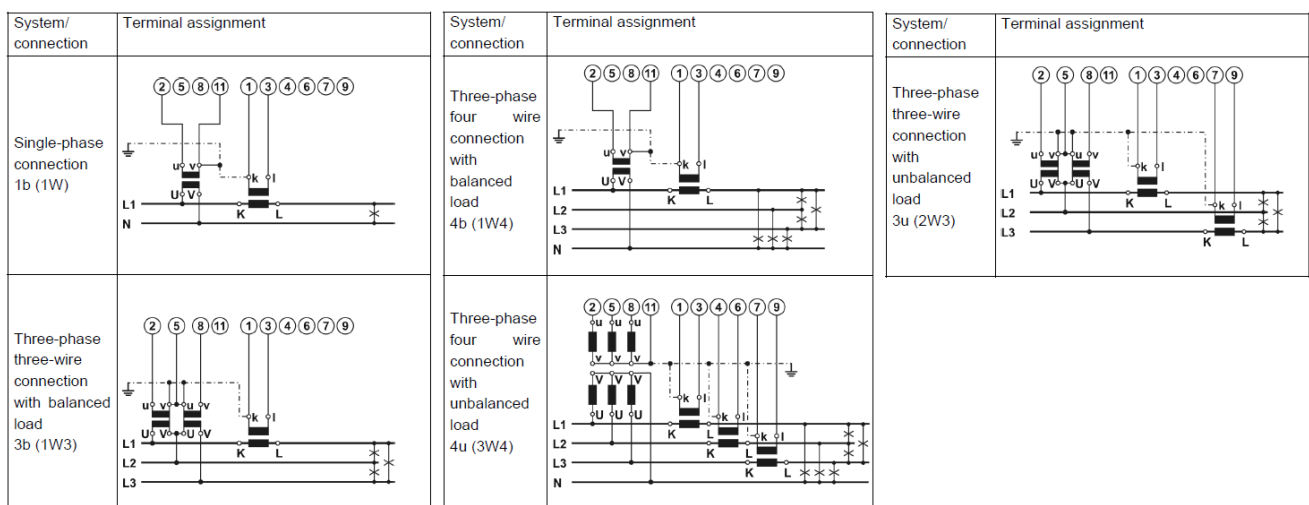
Ordering Specifications

You can buy a configured MT440 by using the order form.

The MT440 can also be programmed with user-friendly software, [click here](#) to download the software.

* The universal measurement transducer can be configured thanks to user-friendly software, MiQuen or by ELEQ on request.

Wiring Diagram

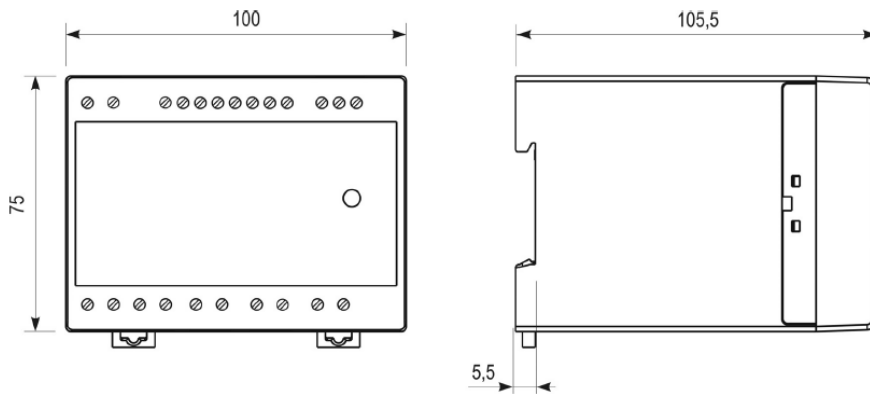


For all actual data about the MT440, we refer you to www.iskra.eu



mastering electricity
worldwide

Dimensions



For all actual data about the MT440, we refer you to www.iskra.eu

Ref. 1