

MT418 – Universal Measurement Transducer

The MT418 is a freely programmable measurement transducer for measuring and monitoring TRMS AC current. The MT418 can be programmed via a USB port. Thanks to the free software, the outputs, power and voltage settings are fully and freely programmable. The MT418 is suitable for auxiliary voltage AC (40-276Vac) or DC (24-300Vdc). Without auxiliary voltage, only some of the unique specifications of this jack-of-all-trades will work. The accuracy of the MT418 is 0.5. The MT418 is optionally available with high-speed analogue output and/or Modbus RS232/RS485 output.

The basic varieties are programmed and are in stock at ELEQ, all other models are quickly available per customer specification.



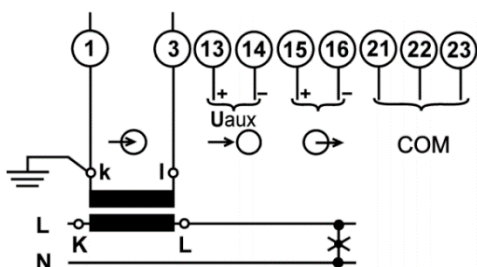
Ordering Specifications

Measuring range	Article number
0-1A	2R2501
0-5A	2R2502
On customer request (max 12A)	2R2599

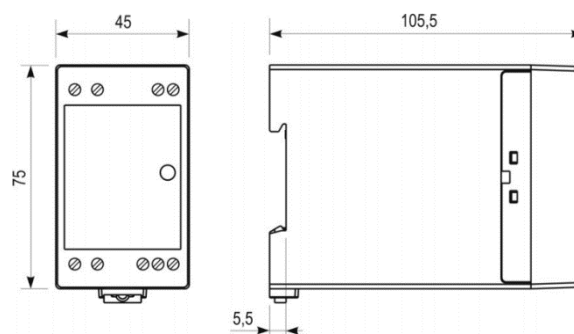
Technical Specifications

Input:	
Nominal current:	1A or 5A (12A max)
Nominal frequency:	50/60, 400Hz
Overload:	1,2xIn continue 60xIn / 1sec.
Power consumption:	0,2VA
Output:	
Current:	4-20mA
Load voltage:	10V
Current limitation:	<30mA
Voltage:	
Load current:	10mA
Voltage limitation:	<30V
Accuracy class:	[0.5] (IEC 60688)
Ripple:	<0,4%
Response time:	<100ms 0-90% & 100-10%
Auxiliary supply:	
Voltage:	20-300Vdc, 48-276Vac
Power consumption:	<5VA
Safety:	
Impulse test:	5kV 1,2/50µs
Insulation test:	4kV 50Hz 1min.
Housing protection:	IP20
EMC:	EN61326-1
Usage group:	III (IEC60688)
Pollution degree:	II (EN61010-1)

Wiring Diagram



Dimensions



For all current data about the MT418, we refer you to www.iskra.eu