

MT408 - Universal Measurement Transducer

The MT408 is a freely programmable measurement transducer for measuring and monitoring AC current. The MT408 requires no auxiliary supply. The accuracy of the MT408 is 0.5.

The basic varieties are in stock at ELEQ, all other models are quickly available per customer specification.



Technical Specifications

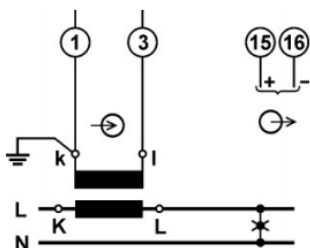
Input:	
Nominal current:	1A of 5A (12A max)
Nominal frequency:	50/60, 400Hz
Overload:	1,2xIn continue 20xIn / 1sec.
Power consumption:	0,2VA
Output:	
Current:	0-20mA
Load voltage:	10V
Current limitation:	<30mA
Voltage:	
Load current:	10mA
Voltage limitation:	<30V
Accuracy class:	0.5 (IEC 60688)
Ripple:	<0,4%
Response time:	<300ms 0-90% & 100-10%
Safety:	
Impulse test:	5kV 1,2/50µs
Insulation test:	4kV 50Hz 1min.
Housing protection:	IP20
EMC:	EN61326-1
Usage group:	III (IEC60688)
Pollution degree:	II (EN61010-1)

Ordering Specifications

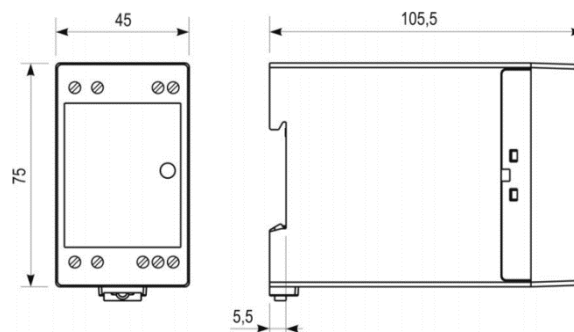
Measuring range	Articlenumber
0-1A	2R2301*
0-5A	2R2302*
0-1,2A	2R2303
0-6A	2R2304

* Standardproducts.

Wiring Diagram



Dimensions



For all current data about the MT408, we refer you to www.iskra.eu