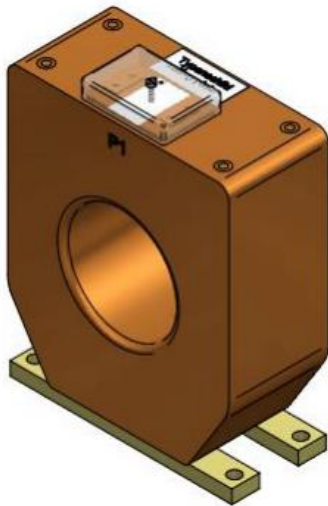


# GSAG200 – Bushing-type Current Transformer

The GSAG200 is used for measurement and protection in applications with vibration requirements like power generators. The cast resin insulated indoor bushing-type current transformer can be up to 1,2kV. The special ELEQ generator construction, makes it possible to use the GSAG200 with shock and / or vibration requirements. The current transformer is maintenance-free and mountable in any position.



## Ordering Specifications

For the customized design of your ELEQ GSAG200 Current Transformer the following information is required:

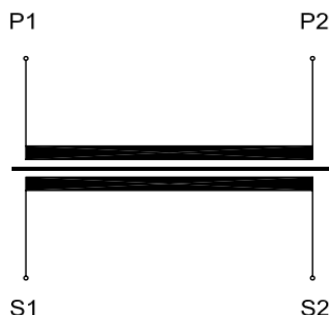
### Mandatory

- Rated primary current
- Rated secondary current
- Rated output
- Accuracy class
- Frequency

### Optional

- Multi-core transformers
- Other relevant requirements

## Wiring diagram IEC 61869-2



## Technical specifications

### Environmental conditions

This product is designed to be safe under the following conditions:

Location:	Indoor use
Ambient air temperature:	-40°C .. +80°C; other temperatures on request
Storage and transport temperature:	-50°C .. +80°C
Relative humidity:	5% .. 95%, non condensing
Altitude:	Max. 1000m above NN; at >1000m data required
Protection degree:	IP20

### Application conditions

Standard:	IEC 61869-2 / IEEE C57.13, etc.
IEC 61768-2 specification	
Rated short-time thermal current (I <sub>th</sub> ):	100 x I <sub>n</sub> /1s, max. 100kA/1s, other duration on request
Rated dynamic current (I <sub>dyn</sub> ):	2,5 x I <sub>th</sub>
Continuous thermal current (I <sub>cth</sub> ):	Up to 200%
Rated insulation level:	1,2/6/-kV
Rated frequency:	50/60Hz
Class of insulation:	E
Rated primary current:	10-5000A
Rated secondary current:	1A or 5A; other options available on request
Rated output:	As required. For example 10, 15VA
Accuracy class:	As required. For example 0,2, 5P20
Secondary terminal:	Screw terminals M5 (max. 2,5Nm)

## Dimensions

