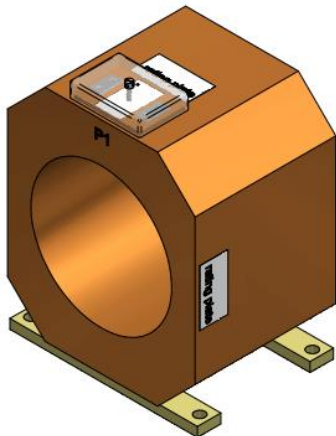


GSA200 – Bushing-type Current Transformer

The GSA200 is a cast-resin insulated bushing-type current transformer for indoor applications. They are suitable to put on cables or bus-bars. In case of higher voltage levels the primary conductor must be insulated according to the rated insulation levels. The cast resin insulated indoor bushing-type current transformer can be used up to 1,2 kV. The current transformer is maintenance-free and mountable in any position.



Ordering Specifications

For the customized design of your ELEQ GSA200 Current Transformer the following information is required:

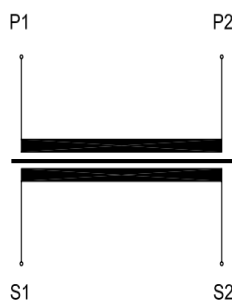
Mandatory

- Rated primary current
- Rated secondary current
- Rated output
- Accuracy class
- Frequency

Optional

- Multi-core transformers are possible
- Terminal box sealable
- Earth-fault detection
- Other relevant requirements

Wiring diagram IEC 61869-2 e.g. single core



Technical specifications

Environmental conditions

This product is designed to be safe under the following conditions:

| | |
|------------------------------------|--|
| Location: | Indoor use |
| Ambient air temperature: | -5°C .. +40°C; other temperatures on request |
| Storage and transport temperature: | -25°C .. +50°C |
| Relative humidity: | 5% .. 95%, non condensing |
| Altitude: | Max. 1000m above NN; at >1000m data required |

Protection degree (secondary terminal):

IP20

Application conditions

Standard: IEC 61869-2/IEEE C 57.13; etc.

IEC 61768-2 specification:

Rated short-time thermal current (I_{th}): 100 x I_n/1s, max. 100kA/1s, other duration on request

Rated dynamic current (I_{dyn}): 2,5 x I_{th}

Continuous thermal current (I_{cth}): up to 200%

Rated insulation level:

1,2/6-kV

Rated frequency:

50/60Hz

Class of insulation:

E

Rated primary current:

30A - 5000A

Rated secondary current:

1A or 5A; other options available on request

Rated output:

As required.

For example 10VA, 15VA

Accuracy class:

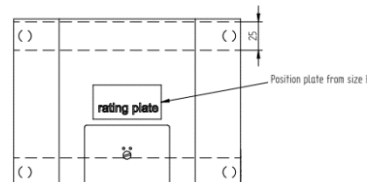
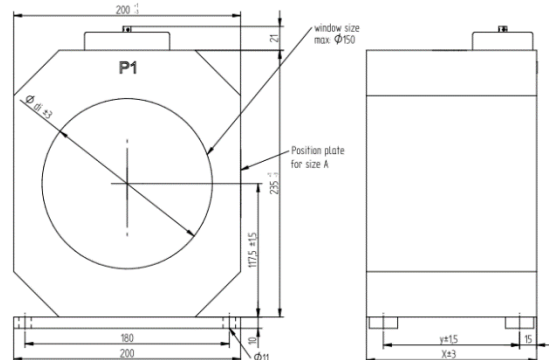
As required.

For example 0,2, 5P20

Secondary terminal:

Screw terminals M5 (max. 2,5Nm)

Dimensions



| size | X | Y | rating plate size |
|------|-----|-----|-------------------|
| A | 60 | 30 | 3 |
| B | 90 | 60 | 3 |
| C | 120 | 90 | 3 / 6 |
| D | 150 | 120 | 3 / 6 |
| E | 200 | 170 | 3 / 6 |
| F | 250 | 220 | 3 / 6 |
| G | 300 | 270 | 3 / 6 |

