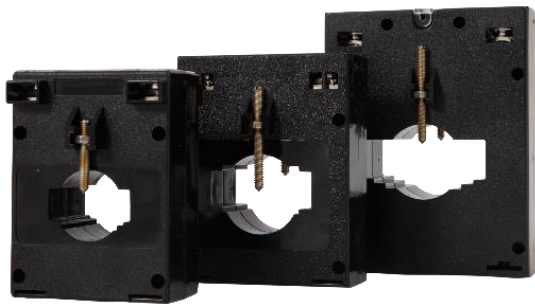


Energy Revenue Line 1/2

The transformer line for revenue metering with a sufficient load at all times. Which is in compliance with the rules set for kWh measurement instruments. The transforms are all individually measured and test reports per transformer are available through the internet. Flexibility, compact and safety are the USP's of the line. All transformers are equipped with a sealable integrated terminal cover in a case of polycarbonate. The current transformers are supplied with mounting hardware for mounting on rail, cable or mounting plate. Optional the transformers can be ordered with clips which can be used to place the transformers on top hat rail.



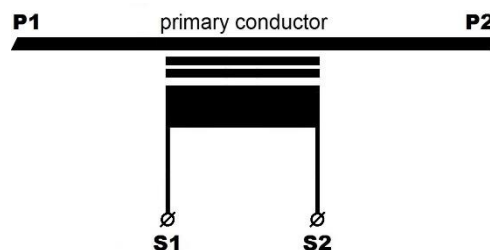
Technical Specifications

<i>Environmental conditions</i>	
This product is designed to be safe under the following conditions:	
Location:	Indoor use
Operating temperature:	-25°C .. +55°C
Relative humidity:	5% .. 85%, non condensing
Protection degree:	IP20
<i>Application conditions</i>	
Standard:	IEC 61869-2
Rated short-time thermal current:	60 x I _n /1s
Continuous thermal current (I _{ct}):	Up to 1000A: 1,2 x I _n From 1000A: 1,0 x I _n
Rated insulation level:	0,72/3/-kV
Rated frequency:	50Hz
Class of insulation:	E
Secondary terminals:	Screw terminals

Ordering Specifications

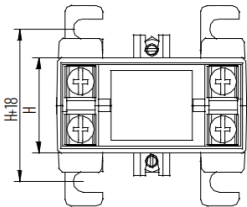
Model	Ratio	Burden VA	Class	Article-number
ERM60-E2A	100/5A	0..1VA	0,5S	4M2140E
ERM60-E3A	150/5A	0..1VA	0,2S	4M2450E
ERM60-E3A	200/5A	0..2VA	0,2S	4M2451E
ERM60-E3A	250/5A	0..2,5VA	0,2S	4M2452E
ERM70-E4A	300/5A	0..2,5VA	0,2S	4M3453E
ERM70-E4A	400/5A	0..5VA	0,2S	4M3454E
ERM70-E4A	500/5A	0..5VA	0,2S	4M3455E
ERM70-E4B	600/5A	0..5VA	0,2S	4M3556E
ERM70-E4B	750/5A	0..5VA	0,2S	4M3557E
ERM85-E6A	1000/5A	0..5VA	0,2S	4M8758E
ERM100-E8A	1000/5A	0..5VA	0,2S	4M9A58E
ERM100-E8A	1500/5A	0..5VA	0,2S	4M9A62E
ERM100-E8A	1600/5A	0..5VA	0,2S	4M9A63E
ERM120-E8/2A	2500/5A	0..10VA	0,2S	4MA268E
ERM140-E10/3A	1000/5A	0..10VA	0,2S	4MB358E
ERM140-E10/3B	1500/5A	0..10VA	0,2S	4MB362E
ERM140-E10/3B	1600/5A	0..10VA	0,2S	4MB363E
ERM140-E10/3B	2000/5A	0..10VA	0,2S	4MB366E
ERM140-E10/3B	2500/5A	0..10VA	0,2S	4MB368E
ERM140-E10/3B	3000/5A	0..10VA	0,2S	4MB369E

Wiring Diagram



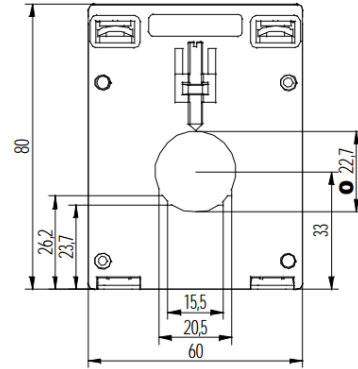
Energy Revenue Line 2/2

Dimensions

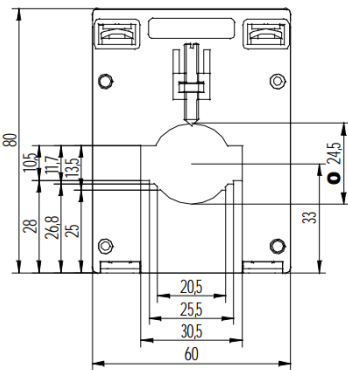


Type	Height in mm
ERM60-E2A-E3A, ERM70-E4A	30
ERM85-E6A, ERM100-E8A, ERM140-E10/3A	40
ERM70-E4B, ERM120-E8/2	50
ERM140-E10/3B	60

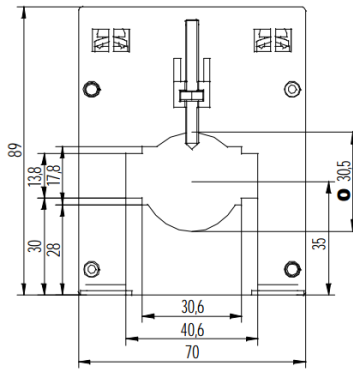
ERM60-E2



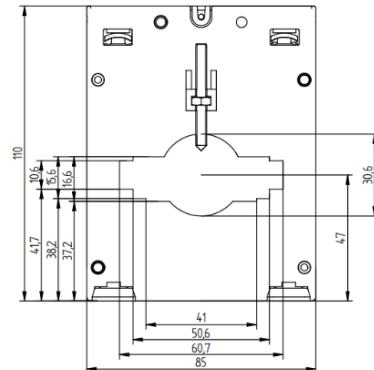
ERM60-E3



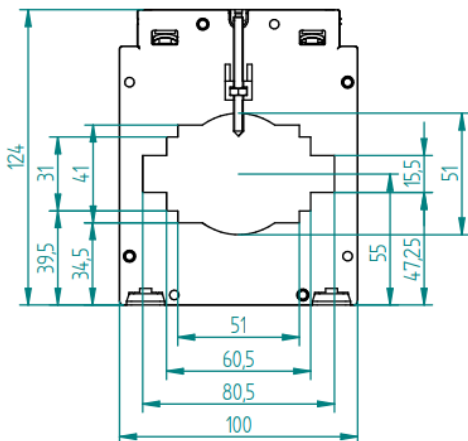
ERM70-E4



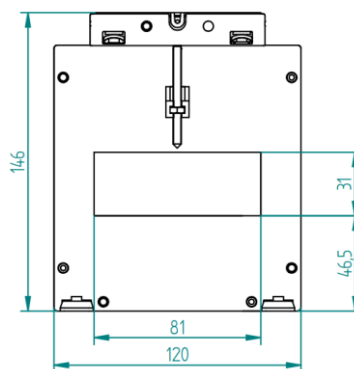
ERM85-E6



ERM100-E8



ERM120-E8/2



ERM140-E10/3

