

ERM60-D – Current Transformer

Flexible, compact and reliable, those are the keywords of the ERM-series of ELEQ. All transformers are equipped with a sealable integrated terminal cover in a case of polycarbonate. The current transformers are supplied with mounting hardware for mounting on rail, cable or mounting plate. Optional the transformers can be ordered with clips which can be used to place the transformers on top hat rail. The ERM-series is KEMA certified.



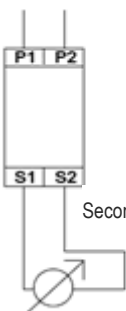
Ordering Specifications

Ratio	Class 1 VA	Class 3 VA	Article Number
1/5A	5	7,5	4M2011E
1,5/5A	5	7,5	4M2012E
2,5/5A	5	7,5	4M2013E
4/5A	5	7,5	4M2014E
5/5A	5	7,5	4M2015E
6/5A	5	7,5	4M2016E
10/5A	5	7,5	4M2017E
15/5A	5	7,5	4M2018E
20/5A	5	7,5	4M2019E
25/5A	5	7,5	4M2020E
30/5A	5	7,5	4M2021E
<hr/>			
1/1A	5	7,5	4M2000E
1,5/1A	5	7,5	4M2001E
2,5/1A	5	7,5	4M2002E
4/1A	5	7,5	4M2003E
5/1A	5	7,5	4M2004E
6/1A	5	7,5	4M2005E
10/1A	5	7,5	4M2006E
15/1A	5	7,5	4M2007E
20/1A	5	7,5	4M2008E
25/1A	5	7,5	4M2009E
30/1A	5	7,5	4M2010E

For another ratio, class, burden or double measurement ranges, please consult our Sales Department for more information.

Wiring Diagram

Primary current



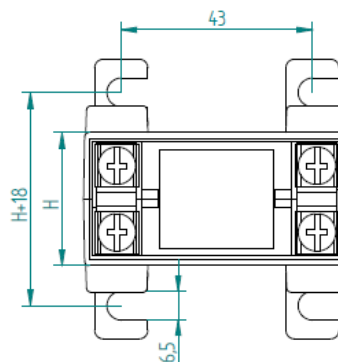
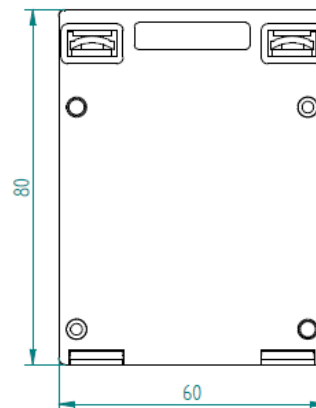
Models with primary and secondary connection

Secondary current

Technical Specifications

Environmental conditions	
This product is designed to be safe under the following conditions:	
Location:	Indoor use
Operating temperature:	-5°C .. +40°C
Relative humidity:	5% .. 85%, non condensing
Protection degree:	IP20
Application conditions	
Standard:	IEC 61869-2
Rated short-time thermal current:	60 x In / 1s
Continuous thermal current (I _{ct}):	1 x In
Rated insulation level:	0,72/3/-kV
Rated frequency:	50/60Hz
Class of insulation:	E
Secondary terminals:	Screw terminals (max. torque 2Nm) Max. cross-sectional area of cable (stranded) 6mm ²

Dimensions



Type	Height (mm)
A	30

