

EM238 - Intelligent Currenttransformer

The ELEQ EM238 is a two-wire transmitter for converting alternating current to a 4-20mA signal. The auxiliary supply of 10-40Vdc is included in the output circuit. This makes the transmitter ideal for monitoring motor currents in production processes in combination with Programmable Logic Controllers.



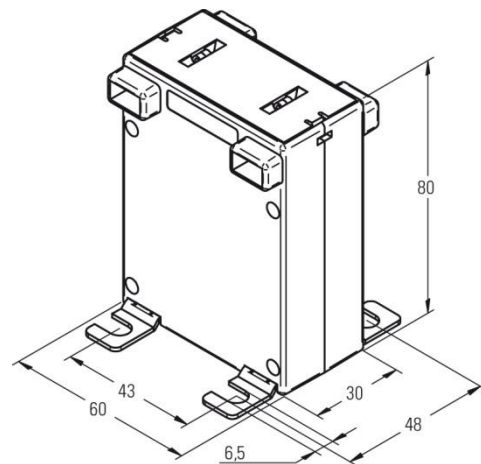
Technical specifications

Primary current:	max. 600A
Output:	4-20mA
Weight:	0,12kg
Classe (0,2-1,2In):	[0,5]
Range:	0- 1,2In
Overload capacity:	60*In (1sec)
Continually:	1,2*In
Frequency range:	45-65Hz
Power consumption:	<0,5VA
Auxiliary supply:	10-40Vdc*
*Rload=	$\frac{Aux.sup. - 10 (Ohm)}{0,02}$

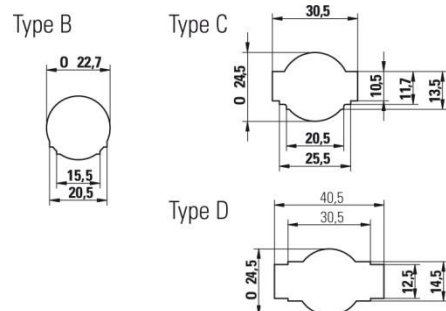
Measuring ranges

Order number	Measuring current	Housing
6M2701	10A	B
6M2702	12A	B
6M2703	12.5A	B
6M2704	15A	B
6M2705	16A	B
6M2706	20A	B
6M2707	25A	B
6M2708	30A	B
6M2709	40A	B
6M2710	50A	B
6M2711	60A	B
6M2712	75A	B
6M2713	80A	B
6M2714	100A	C
6M2715	120A	C
6M2716	125A	C
6M2717	150A	C
6M2718	160A	C
6M2719	200A	C
6M2720	250A	C
6M2721	300A	C
6M2722	400 ^a	C
6M2723	500A	D
6M2724	600A	D

Dimensions



Dimensions opening



Wiring Diagram

