

EM228 - Intelligent Current Transformer

The ELEQ EM228 is an active current transducer for converting an alternating current of up to 1250A to an 4-20mA (standard), 0-20mA or 0-10V signal. The transducer is provided with an auxiliary supply of 230Vac. Other alternating current auxiliary supplies are available on request. The auxiliary supply is galvanically separated from the output circuit.



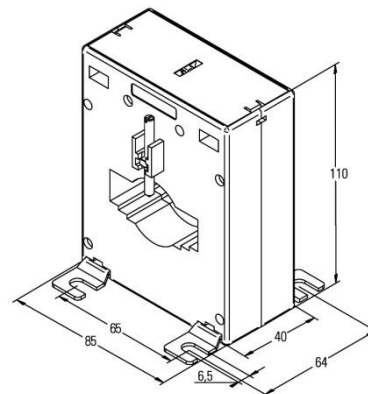
Technical specifications

Primary current:	max. 1250A
Aux. Supply:	230V (standard)
Output:	4-20mA (standard) 0-20mA (on request) 0-10V (on request)
Weight:	± 0,3 kg
Classe (0,2-1,2In):	0,5
Range:	0 - 1,2In
Overload capacity:	60*In (1sec)
Continually:	1,2*In
Frequency range:	45-65Hz
Power consumption:	< 2VA
Max. load:	500 Ohm
Setting time:	< 1sec
Umax with open terminals:	< 24Vdc
Imax with 0 Ohm load:	< 40mA
Imax with 500 Ohm load:	< 30mA
Impulstest:	5kV 1,2/50µs
Insulation:	4kV/60s (50Hz)

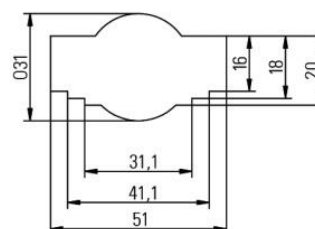
Measuring ranges

Article Number	Measuring Current	Output	Aux. Supply
6M2601	100A	4-20mA	230Vac
6M2602	120A	4-20mA	230Vac
6M2603	125A	4-20mA	230Vac
6M2604	150A	4-20mA	230Vac
6M2616	160A	4-20mA	230Vac
6M2605	200A	4-20mA	230Vac
6M2606	250A	4-20mA	230Vac
6M2607	300A	4-20mA	230Vac
6M2608	400A	4-20mA	230Vac
6M2609	500A	4-20mA	230Vac
6M2610	600A	4-20mA	230Vac
6M2611	750A	4-20mA	230Vac
6M2612	800A	4-20mA	230Vac
6M2613	1000A	4-20mA	230Vac
6M2614	1200A	4-20mA	230Vac
6M2615	1250A	4-20mA	230Vac

Dimensions



Dimensions opening



Wiring Diagram

