

DGIV..-E Moving Coil Measuring Instruments with rectifier

E-line moving coil meter with rectifier are used to measure ac current and voltage with a frequency of 40 up to 5000 Hz. Moving coil instruments are distinguished in particular by low power consumption and high sensitivity for very small direct currents or voltages. The DGIV..-E is a square model with interchangeable scale.



Technical specifications

Environmental conditions	
Location:	Indoor use
Reference temperature range:	+18°C .. +28°C
Nominal temperature range:	-25°C .. +55°C
Relative humidity:	5% .. 80%, non condensing
Protection degree:	Case IP52, IP20**
Measurement category:	CAT. III 300V
Specifications	
Standard:	IEC 60051-2
Accuracy class:	1,5

** IP20 when included protection cover is mounted.

Order information

Customer specific products*

Please create the ordering information by combining one parameter out of each column.

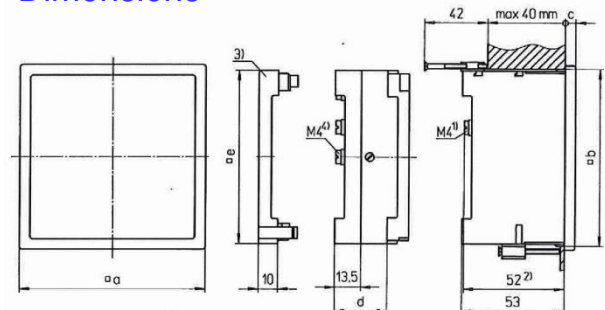
Size	Measuring Range or ratio of current transformer	Scale	Frequency
48 * 48	Please specify the measuring range or the ratio of the used current transformer	Please specify the requested scale value	50Hz
72 * 72			60Hz
96 * 96			

For example: DGIV96-E, 0-5A, 0-100A, 50Hz

* On request the DGIV-E can be delivered as IP55 or with extra markings on the scale.

Please contact our sales department for the possibilities.

Dimensions



Model	a(mm)	b(mm)	c(mm)	d(mm)	e(mm)
DGIV48-E	48	45 ^{+0,6}	5	-	42,5
DGIV72-E	72	68 ^{+0,8}	5,5	-	66,5
DGIV96-E	96	92 ^{+0,8}	5,5	-	90

