

## DGIV..-E 240 Measuring Instruments with rectifier

E-line moving coil meter with rectifier are used to measure ac current and voltage with a frequency of 40 up to 5000 Hz. Moving coil instruments are distinguished in particular by low power consumption and high sensitivity for very small direct currents or voltages. The DGIV..-E 240 has a 240 pointer deflection.



### Technical specifications

<b>Environmental conditions</b>	
Location:	Indoor use
Reference temperature range:	+18°C .. +28°C
Nominal temperature range:	-25°C .. +55°C
Relative humidity:	5% .. 80%, non condensing
Protection degree:	Case IP52, terminal contacts IP20**
Measurement category:	CAT. III 300V
<b>Specifications</b>	
Standard:	IEC 60051-2
Accuracy class:	1,5

\*\* IP20 when included protection cover is mounted.

### Order information

#### Customer specific products\*

Please create the ordering information by combining one parameter out of each column.

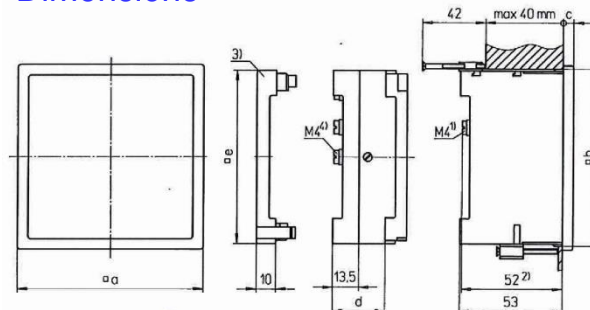
Size	Measuring Range or ratio of current transformer	Scale	Frequency
48 * 48	Please specify the measuring range or the ratio of the used current transformer	Please specify the requested scale value	50Hz
72 * 72			60Hz
96 * 96			

For example: DGIV96-E 240, 0-5A, 0-100A, 50Hz

\* On request the DGIV-E 240 can be delivered as IP55 or with extra markings on the scale.

Please contact our sales department for the possibilities.

### Dimensions



Model	a(mm)	b(mm)	c(mm)	d (mm)	e(mm)
DGIV48-E 240	48	45 <sup>+0,6</sup>	5	-	42,5
DGIV72-E 240	72	68 <sup>+0,8</sup>	5,5	-	66,5
DGIV96-E 240	96	92 <sup>+0,8</sup>	5,5	-	90

