



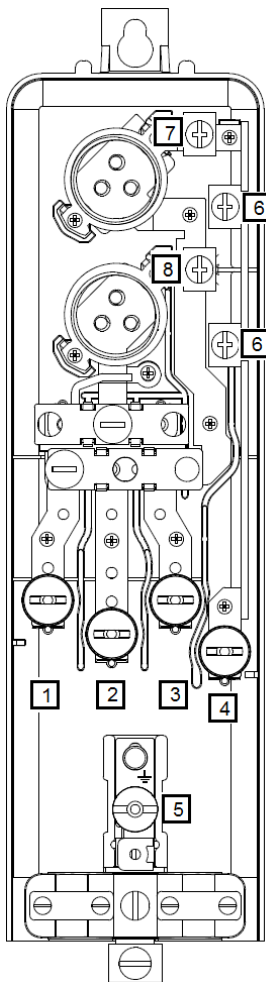
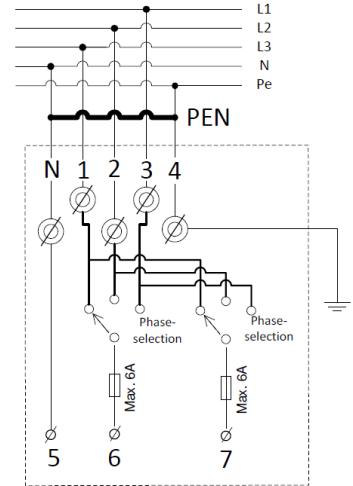
Installation instructions LS-94XL with two fuse-switches

CAUTION: Do not install this product with the power switched on. Check the voltage before installing and make sure the power cannot be switched on during installation.

Scheme LS-94XL connection box:

- 1 = Phase connection 1
- 2 = Phase connection 2
- 3 = Phase connection 3
- 4 = Neutral
- 5 = Protective Earth (*PEN-bridge displayed, not always included!*)
- 6 = Neutral for armature (two separate screws)
- 7 and 8 = Switchable phase for armature

Nominal Voltage: 400 V ac
Maximum current: 6A
Protection degree: IP23



I. Open the connection box

- Unmount the transparent lid
- Unscrew both fuse holders
- Unscrew both fuse-switching-pens
- Unmount the transparent lid inside the connection box.
- Unmount the pull-relief block

II. Mount connection box in the pole

- Hang the connection box on the top screw inside pole (cable-side down)
- Tighten the upper screw
- Install the lower screw to fix the box into place.
- Dismantle all incoming cables upto the right length and strip the wires.

III. Connect power / ground cable

- 1) Connect phase 1 to terminal **1**
 - 2) Connect phase 2 to terminal **2**
 - 3) Connect phase 3 to terminal **3**
 - 4) Connect the neutral to terminal **4**
 - 5) Connect PE to terminal **5**
- If available/required:* Install the PEN-bridge between terminal **1** and **5**
Maximum wire size per terminal (N .. 4) : 2x16mm²
Tightening torque: 2..4Nm.

IV. Connect armature cable

- 5) Connect the neutral wires for the armatures on terminal **6**.
 - 6) Connect the phase wires for the armatures on terminals **7** or **8**.
- Maximum wire size connection per terminal (5 .. 6) : 2x2,5mm²
Tightening torque: 2..4Nm.

V. Mount Pull relief (lower side):

- Put power / ground cables into place
- Mount the pull-relief block and tighten the M5 screw
- Mount armature cables onto pull-relief block with saddles and M4 screws.

VI. Check and close the connection box

- Check if all terminals have been tightened sufficiently.
- Mount the transparent lid inside the connection box.
- Select the phases that should be used by the armatures and mount the selection pin by screwing it in. (*for both phase selection pins*)
- Insert a fuse in each of the fuse holders and mount the fuse holders.
- Mount the transparent lid and tighten the screw.

The LS-94XL connection box is in accordance to the following guidelines and standards:

- Low voltage guideline 2006/95/EC (CE)
- IEC 60439-1, low voltage link and low voltage distributing devices
- IEC 60269-3, low voltage fuses

See also the ELEQ product sheets for detailed technical specifications.

