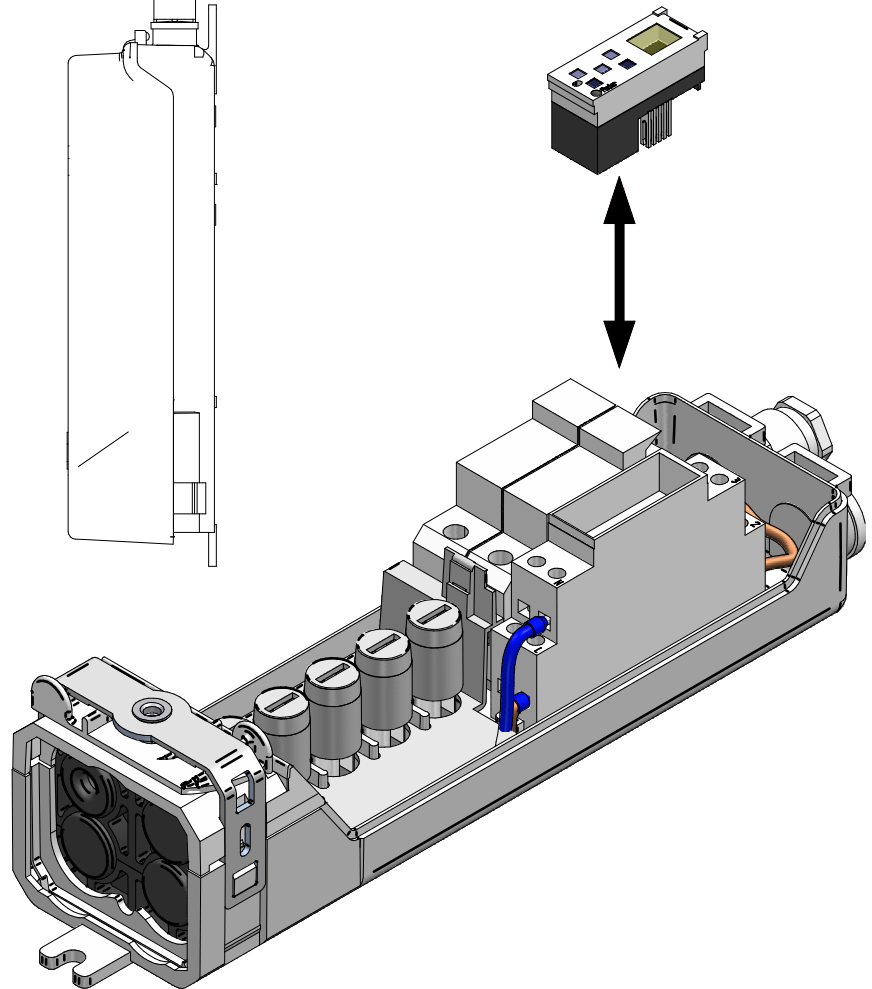
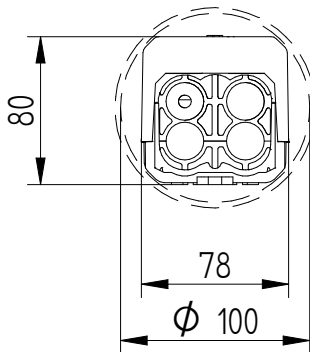
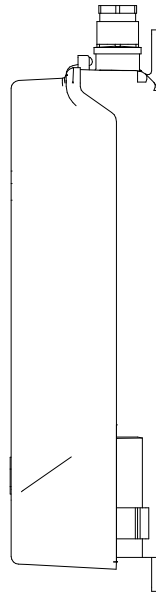
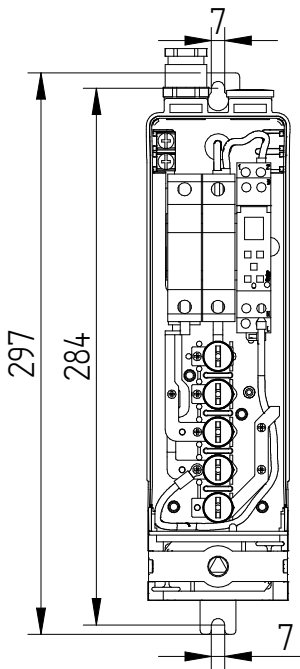


LS-100 Clock

5L8028



Specifications

Type : LS-100
Article number : 5L8028

Technical specifications

Minimum inside diameter : 100 mm
Looping through : Yes
Suitable for : 2x Fuse (10x38mm)
Including fuse : Yes, 2x 6A
Number of terminals : 5 Pcs; 3x phase, zero, Earth
Max. wire cross section : 2x 16mm²
Strain relief : Yes, max. 4 cables 18mm
Earth-neutral connection : No
Double insulated : Yes
Protection : IP55, IK10

Details

Finder programmable
astronomic clock included
(easily removable)
1 fuse for public lighting
1 fuse and clock for
architectural lighting

Packing

12 Pcs in box or 216 Pcs per pallet
Deliverable from stock

Can be combined with

5L9970, 71, 72 : Profile for LS-100
5L9950 : Cable bending tool
5L9960 : Triangle key for LS-100

Use

Suitable for irregular switching regimes
as for spotlights for architectural lighting

