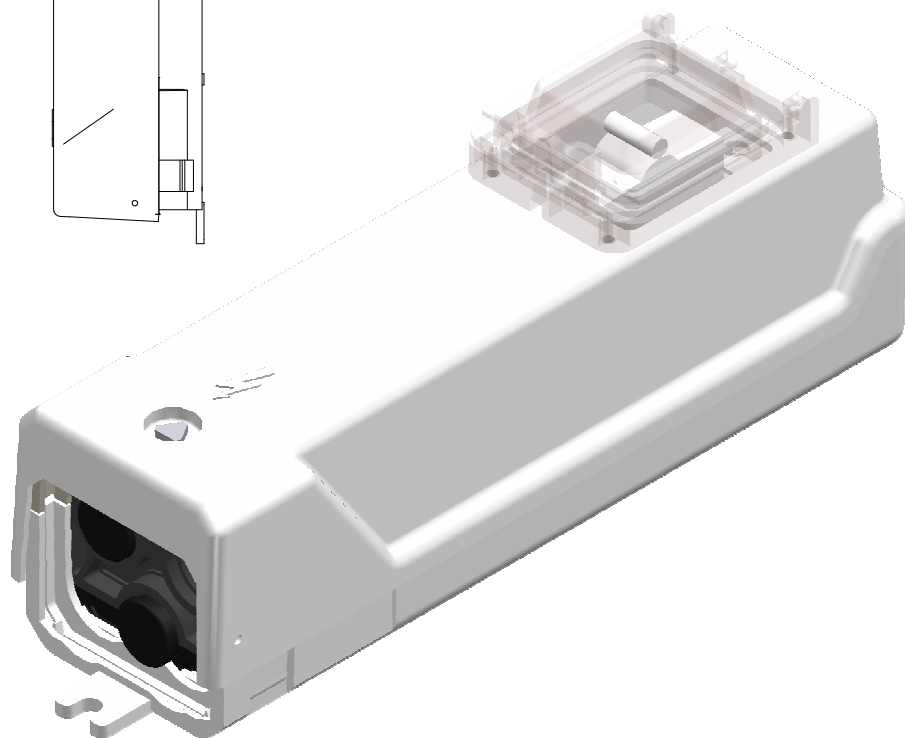
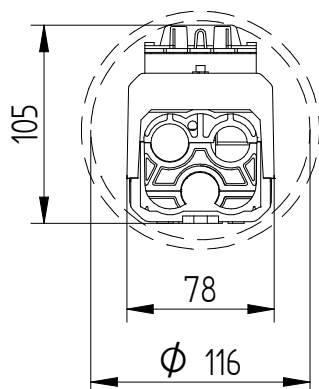
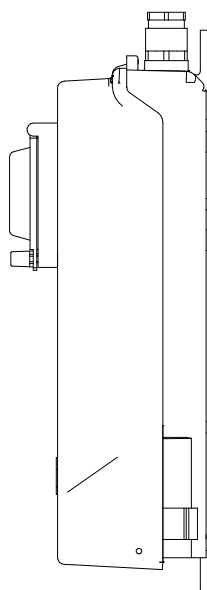
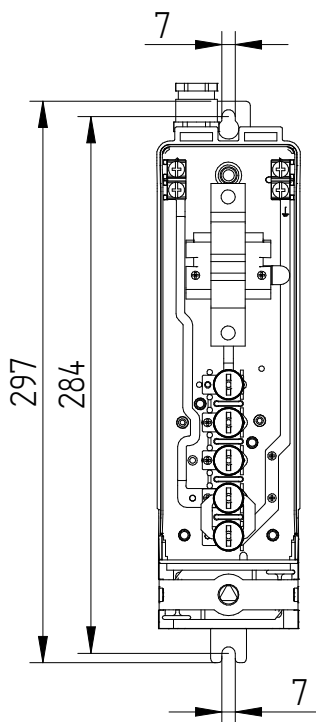




mastering electricity
worldwide

LS-100 40A

5L8026



Specifications

Type : LS-100 40A
Article number : 5L8026

Technical specifications

Minimum inside diameter : 116 mm
Looping through : Yes
Provided with : Circuit breaker
40A C-Characteristic
Number of terminals : 5 Pcs; 3x phase, zero, Earth
Max. wire cross section : 2x 16mm²
Strain relief : Yes, max. two ground cables
23mm and 2 lightmast cords
Earth-neutral connection : Yes
Sealable : Yes

Details

Controllable from outside
40A circuit breaker

Packing

12 Pcs in box or 216 Pcs per pallet
Deliverable from stock

Can be combined with

5L9970, 71, 72 : Profile for LS-100
5L9950 : Cable bending tool
5L9960 : Triangle key for LS-100

