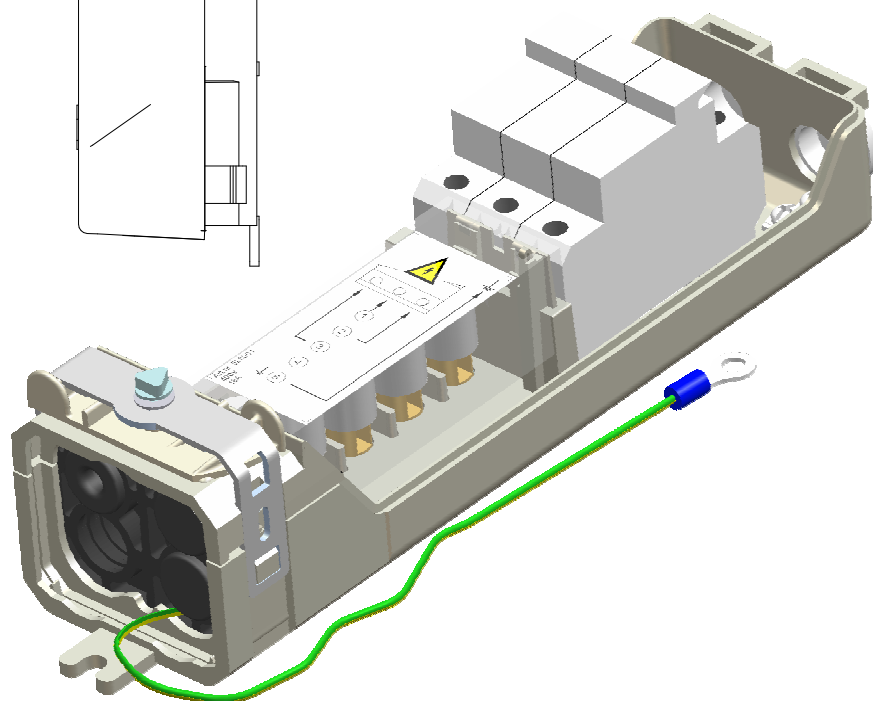
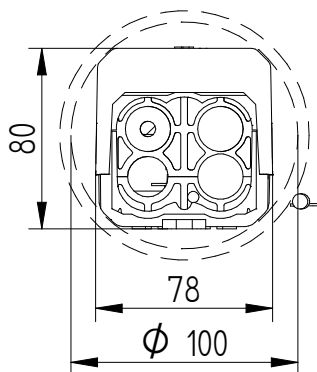
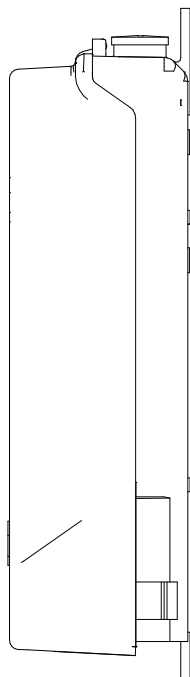
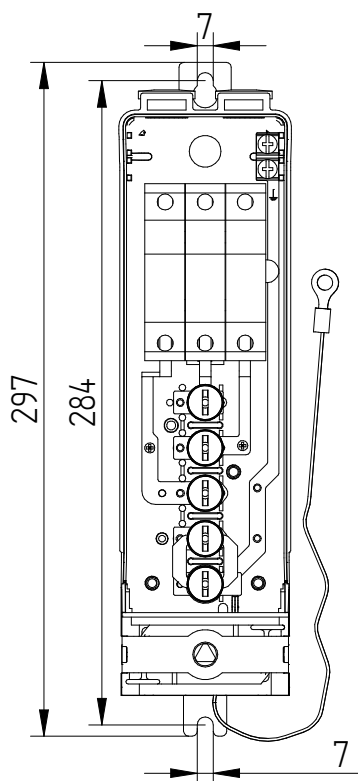




mastering electricity
worldwide

LS-100

5L8001



Specifications

Type : LS-100
Article number : 5L8001

Technical specifications

Minimum inside diameter : 100 mm
Looping through : Yes
Suitable for : 3x Fuse (10x38mm)
Number of terminals : 5 Pcs; 3x phase, zero, Earth
Max. wire cross section : 2x 16mm²
Strain relief : Yes, max. two ground cables
23mm and 2 lightmast cords
Earth-neutral connection : Yes, incl. earth wire
Double insulated : Yes
Quality mark : KEMA
Protection : IP55, IK10

Packing

12 Pcs in box or 216 Pcs per pallet
Deliverable from stock

Can be combined with

5L9970, 71, 72 : Profile for LS-100
5L9950 : Cable bending tool
5L9960 : Triangle key for LS-100

