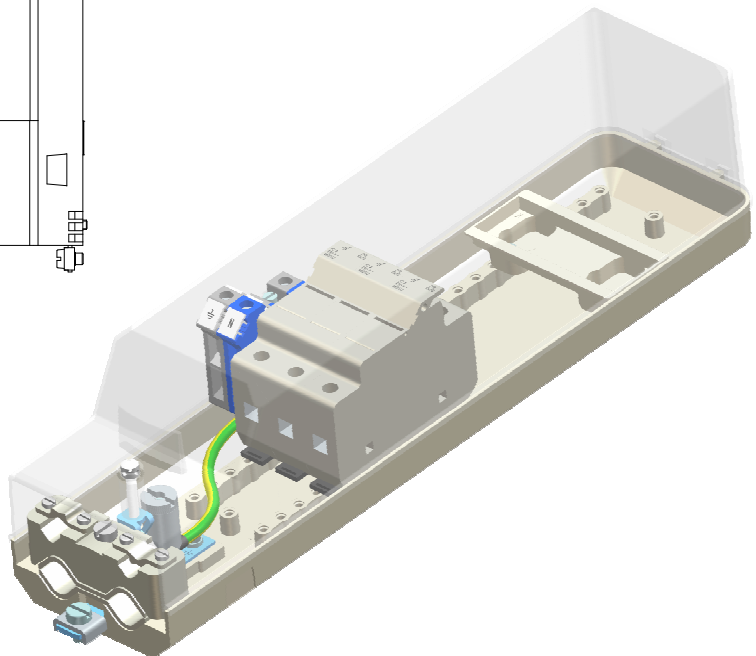
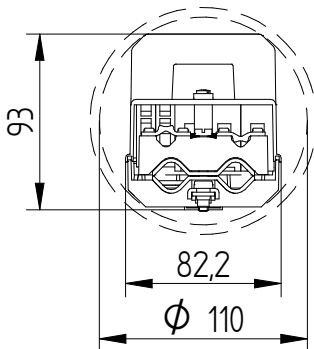
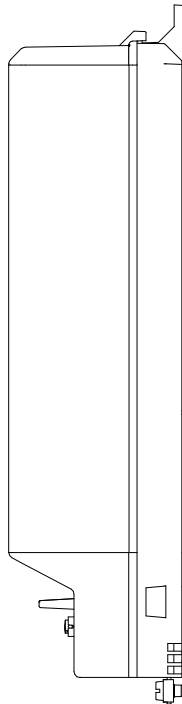
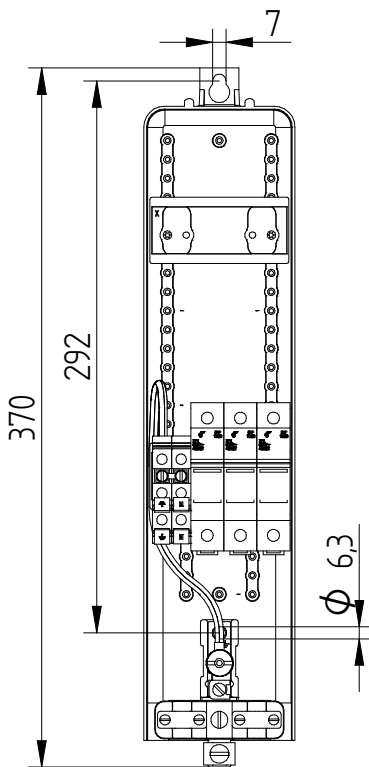


LS-110

5L6040



Specifications

Type : LS-110
Article number : 5L6040

Technical specifications

Minimum inside diameter : 110mm
Looping through : No
Suitable for : 3x 10x38 fuse
Including fuse : No
Resistance to short circuit : 70kA (provided a fuse with $I_e \geq 70kA$ is used)
Max. wire cross section : 1x 10mm² (stranded)
Strain relief : Yes, 2 ground cables and 2 outgoing cables
Earth-neutral connection : Yes
Automatic Earthing : Yes

Details

Intended for installation of kWh measurement instrument for measurement purposes
Cover can be sealed

Packing

12 Pcs in box or 216 Pcs per pallet

Use

Suitable for electrical powered street furniture in public space (400V, 50Hz, 25A)

