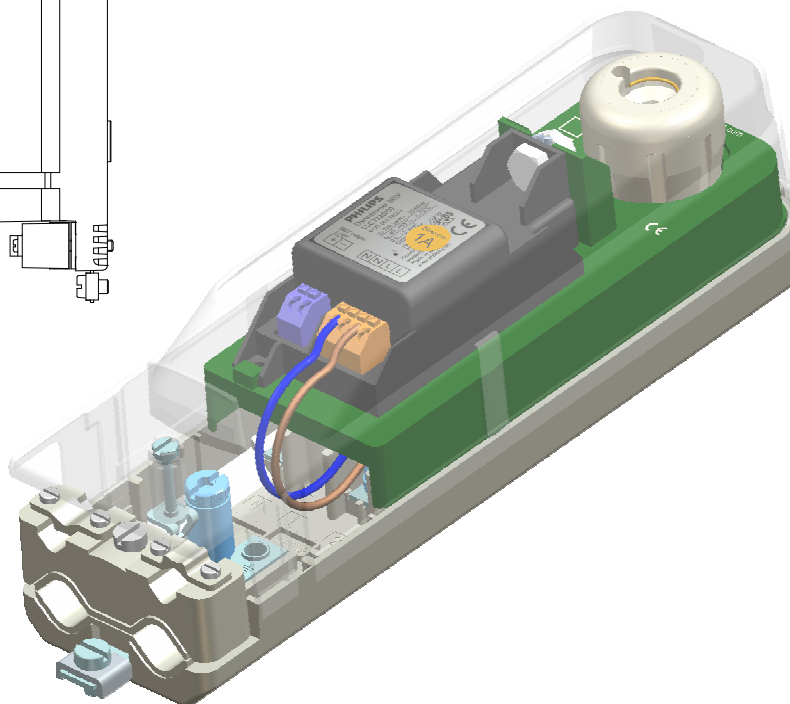
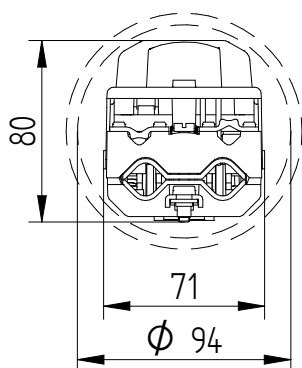
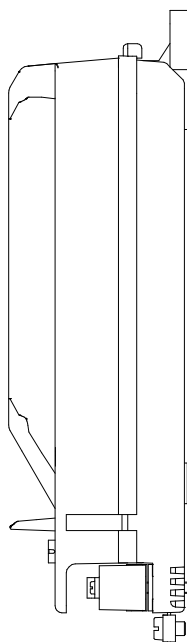
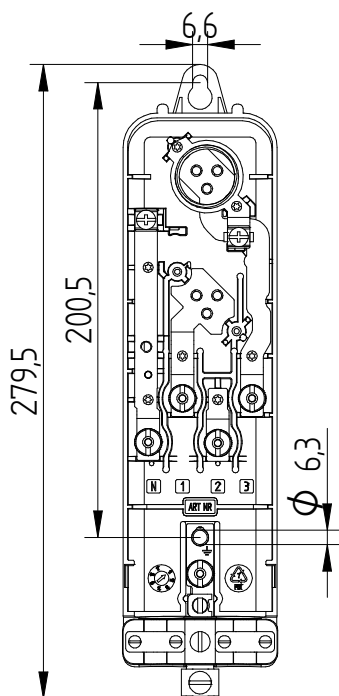




mastering electricity
worldwide

LS-94

5L2501



Specifications

Type : LS-94 Greenqap Dynadimmer
Article number : 5L2501

Technical specifications

Minimum inside diameter : 94mm
Looping through : Yes
Suitable for : 1x E27 Fuse (DII)
Including fuse : Yes, 1x 6A
Number of terminals : 5 Pcs; 3x phase, zero, Earth
Max. wire cross section : 2x 10mm², or 3x 6mm²
Strain relief : Yes, max. 2 ground cables
23mm and 2 lightmast cords
Earth-neutral connection : No
Automatic Earthing : Yes
Dimming schedule : Up to five dimming levels
and five time periods

Details

Eleq Greencap with Philips
Dynadimmer SELV,
type LLC7220 inside

Packing

6 Pcs in a box or 504 Pcs per pallet
Deliverable from stock

Can be combined with

5L9978 : Strain relief for 3 cables

Use

Suitable for lightpoles and stainless steel boxes
with dimmable LED Luminaires

