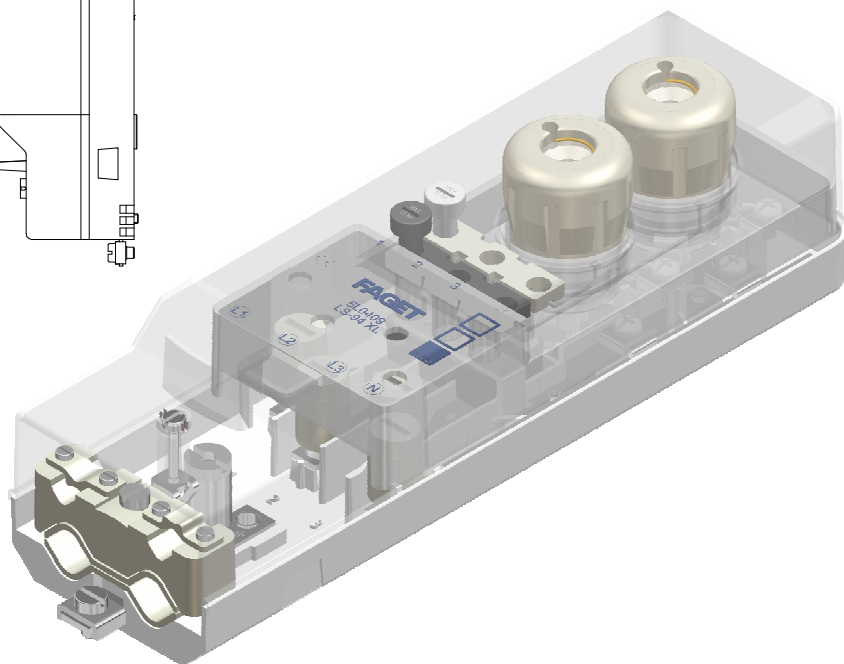
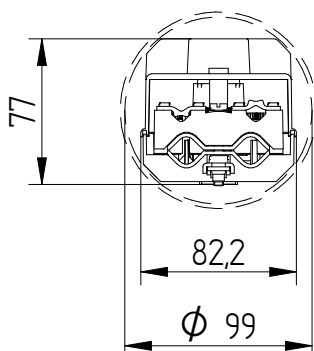
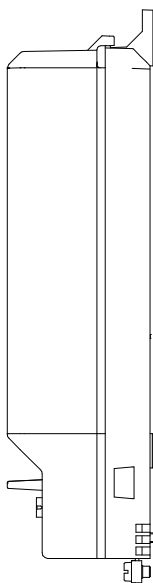
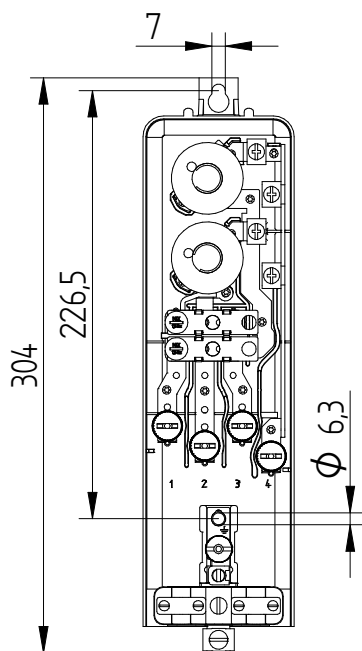


# LS-94

## 5L0409-6A



### Specifications

Type : LS-94  
Article number : 5L0409-6A

### Technical specifications

Minimum inside diameter : 99mm  
Looping through : Yes  
Suitable for : 2x E27 Fuse (DII)  
Including fuse : Yes, 2x 6A  
Number of terminals : 5 Pcs; 3x phase, zero, Earth  
Max. wire cross section : 2x 16mm<sup>2</sup>  
Strain relief : Yes, max. two ground cables  
23mm and 2 lightmast cords  
Earth-neutral connection : No  
Automatic Earthing : Yes  
Quality mark : KEMA

### Details

Phase selectable  
Touch-safe caps  
Measurement possibilities  
Integrated adaptor ring

### Packing

12 Pcs in box or 216 Pcs per pallet  
Deliverable from stock

### Can be combined with

5L9978 : Strain relief for 3 cables

### Use

Suitable for lightpoles and stainless steel boxes

