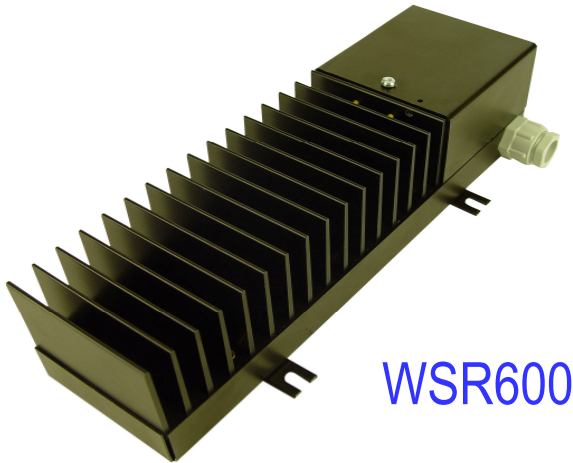


FAGET loadresistors for current transformers

Different to the old electro-mechanical devices the new, static kWh-meters are characterized by a significantly lower power consumption. This effect holds the risk of charging the current transformer with a burden below the minimum value. Subject to standard IEC60044-1, the connected burden must obtain a value between 25% and 100% of the rated burden. Thereby, a more favorable instrument security factor is achieved and the class accuracy ensured.

In its sealable module, the VSR600 load resistor simultaneously modifies the burden of all three phases according to the required values. The resistor has a reactance-free character because of which no extra phase displacement is caused.



WSR600

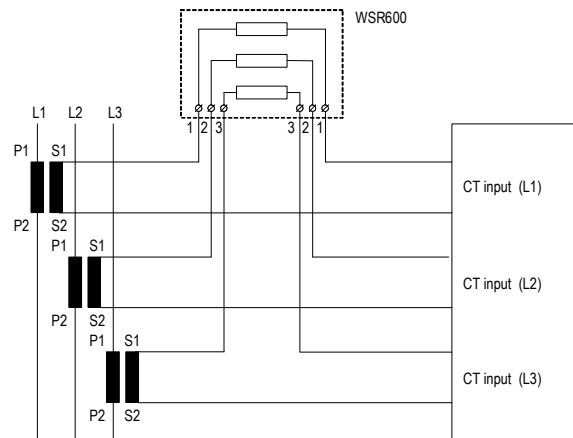
Technical specifications

Accuracy	±10%
Nominal current	In=5A
Rated thermal current	5A continue
Class of insulation	E
Frequency	16 ² / ₃ , - 50, - 60Hz
Ambient temperature	40°C
Case	Metal sealable
Cable input	Brass
Size cable input	PG13,5

Ordering specifications

Article number	Power consumption	R per phase
4WSR60	3 x 8W	0,33Ω
4WSR61	3 x 16W	0,66Ω

Wiring diagram



Dimensions

