

DRT49A12 - Compact CT for Energy Measurement

More often current has to be measured on a lower level of the installation. Because of that current values are relatively low and the available space is limited. Further more, the accuracy has to be sufficient for power measurement (at least class 1). Usually, these features are difficult to combine.

The DRT49A12 combines these features in one product. Because of the unique construction, no additional soldering or crimping joints are required. This makes the DRT49A12 extremely reliable. The leads have a length of 1 m.



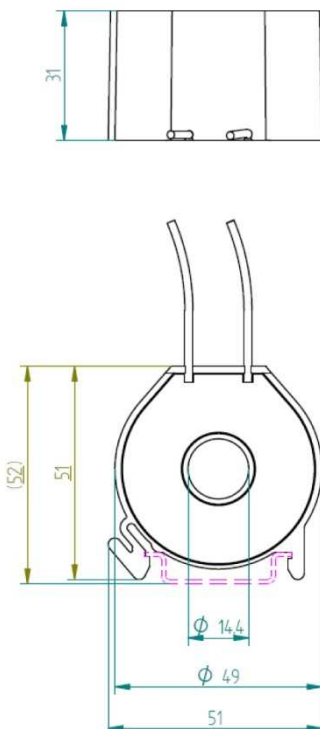
Technical specification

Current ratio:	64/1A (32/1A & 16/1A)
Accuracy:	Class 1
Rated burden:	0,5VA
Continuous current:	120%
Short time current:	60xI _n /1s
Frequency:	50Hz
Leads:	0,5mm ²
Ambient temperature:	45°C max.
Standard:	IEC60044-1
Material:	PA6.6

Ordering specification

Article number	Lead length
4M12S1	1 Meter

Dimensions



Applicability

