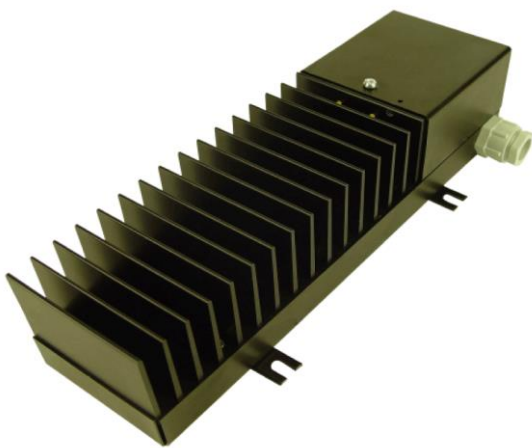


VSR600 - Load resistors for voltage

Compared to the old electro-mechanical instruments, modern digital measuring instruments and protective relays have a very limited power consumption. This involves the risk of charging the voltage transformers with a burden below the minimum value. Subject to the standard IEC 61869-3, the connected burden must obtain a value between 25% and 100% of the rated burden.

In its sealable module, the VSR600 load resistor simultaneously modifies the burden of all three phases according to the required values. Extensive heat tests have been conducted on all types of cabinets at an ambient temperature of up to 50°C. The resistors have been star-connected and therefore have a common neutral.



Technical specification

Accuracy	±10%
Rated voltage (Un)	100V/√3 of 110V/√3
Voltage factor	1,2*Un
Max voltage	110V ¹⁾
Fuses	3 x 0,5A fast
Class of insulation	E
Frequency	16 ^{2/3} , - 50, - 60Hz
Ambient temperature	50°C
Case	Metal sealable
Cable input	Brass
Size cable input	PG13,5

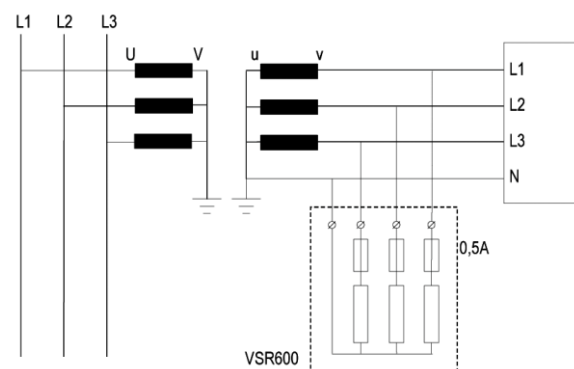
¹⁾ This voltage may occur during earth fault situations.

Ordering specification

Art. No.	Consumption		R per phase
	.../100V Un= 110V/√3	.../110V Un= 110V/√3	
4VSR11	3 x 2,5W	3 x 3W	1200Ω
4VSR12 ²⁾	3 x 8 W	3 x 10W	390Ω
4VSR13 ²⁾	3 x 12 W	3 x 14,5W	270Ω

²⁾ These types contain a thermal protection to switch off the load resistor during earth fault. The load resistors will remain connected at voltages up to 1.24Un and ambient temperatures up to 50°C.

Wiring diagram



Dimensions

