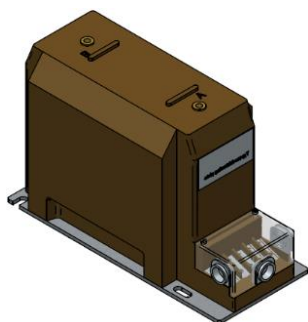
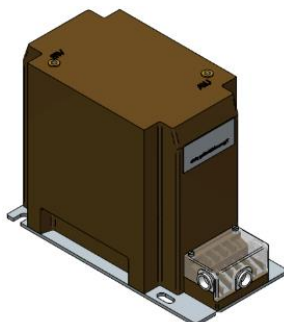


Double Pole Auxiliary Power UGZ 1/2

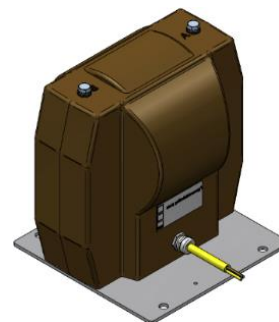
Auxiliary power supply systems are needed to ensure the energy supply for the operation of primary or secondary devices in a station, switchgear or substation. These 230 V devices can be used for e.g. smart grid electronics, air conditioning, heating, lighting, power transformer cooling fans, station battery chargers (DC) and standard wall socket outlets. This set of UGZ instrument double pole voltage transformer generates an output of 230 Volt.



UGZC1



UGZD2



UGZE6

Ordering Specifications

UGZC1

Article Number	Range	Ratio	Winding 1	
6V1662	7,2 kV	6.000 / 230 V	100VA Cl.3	Sth : max 650 VA
6V1661	7,2 kV	6.600 / 230 V	100VA Cl.3	Sth : max 650 VA
6V2661	12 kV	10.000 / 230 V	100VA Cl.3	Sth : max 500 VA
6V2662	12 kV	11.000 / 230 V	100VA Cl.3	Sth : max 500 VA

UGZD2

Article Number	Range	Ratio	Winding 1	
6V1664	7,2 kV	6.000 / 230 V	100VA Cl.3	Sth : max 1200 VA
6V1663	7,2 kV	6.600 / 230 V	100VA Cl.3	Sth : max 1200 VA
6V2663	12 kV	10.000 / 230 V	100VA Cl.3	Sth : max 1200 VA
6V2664	12 kV	11.000 / 230 V	100VA Cl.3	Sth : max 1200 VA
6V4661	24 kV	20.000 / 230 V	100VA Cl.3	Sth : max 750 VA
6V4662	24 kV	22.000 / 230 V	100VA Cl.3	Sth : max 750 VA

UGZE6

Article Number	Range	Ratio	Winding 1	
6V1668	7,2 kV	6.000 / 230 V	100VA Cl.3	Sth : max 2000 VA
6V1667	7,2 kV	6.600 / 230 V	100VA Cl.3	Sth : max 2000 VA
6V2667	12 kV	10.000 / 230 V	100VA Cl.3	Sth : max 2000 VA
6V2668	12 kV	11.000 / 230 V	100VA Cl.3	Sth : max 2000 VA
6V4260	24 kV	20.000 / 230 V	100VA Cl.3	Sth : max 2000 VA
6V4668	24 kV	22.000 / 230 V	100VA Cl.3	Sth : max 2000 VA

Technical Specifications

Environmental conditions

This product is designed to be safe under the following conditions:

Location:	Indoor use
Ambient air temperature:	-5°C .. +40°C;
Storage and transport temperature:	-40°C .. +55°C
Relative humidity:	5% .. 95%, non condensing
Altitude:	Max. 1000m above NN; at >1000m data required

Application conditions

Standard:	IEC 61869-3
IEC 61768-3 specification:	
Rated voltage factor:	1,2 x Un continuous
Rated frequency:	50Hz
Class of insulation:	E
Rated secondary voltage:	230V
Secondary terminal:	Screw terminals M5 (max. 2,5Nm)

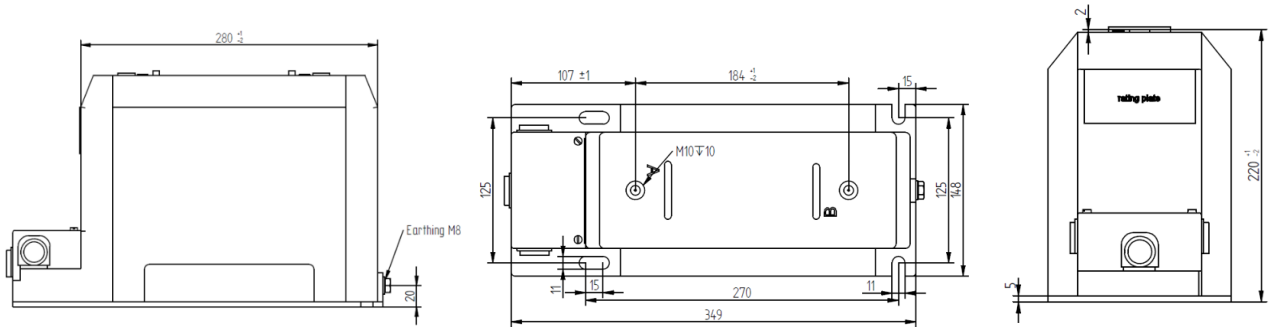
Wiring Diagram (Example)



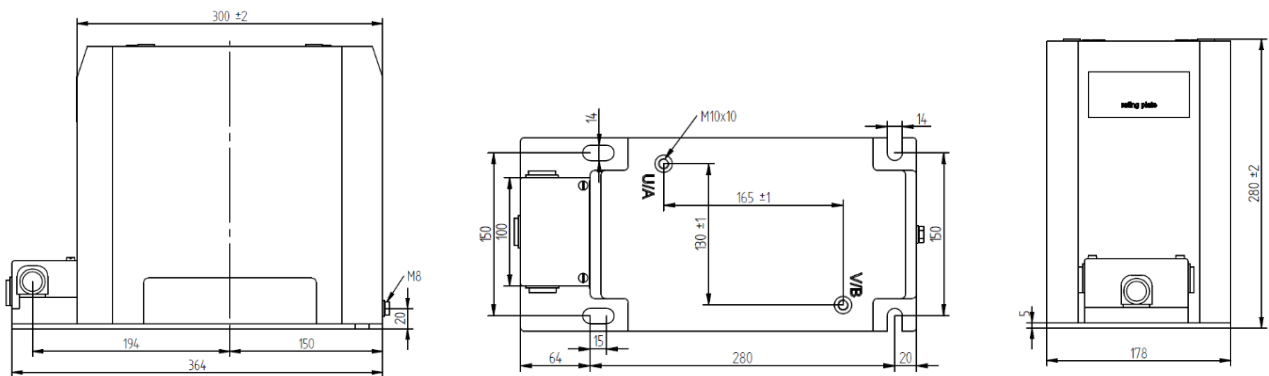
Double Pole Auxiliary Power UGZ 2/2

Dimensions

UGZC1



UGZD2



UGZE6

