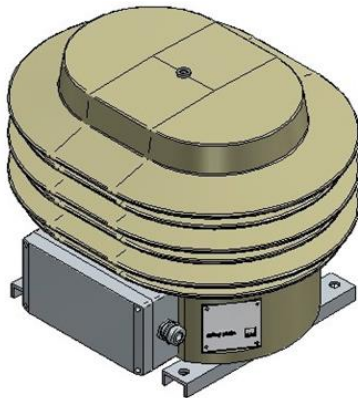


## UGEf E43 – Single Pole Voltage Transformer for outdoor use

The UGEf E43 is used for measurement and/or protection or for residual voltage winding in outdoor applications. The single pole outdoor voltage transformer can be used up to 17,5kV. The voltage transformer is maintenance-free and mountable in an upright position.



### Ordering Specifications

For the customized design of your ELEQ UGEf E43 Voltage Transformer the following information is required:

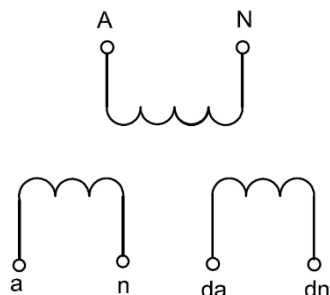
#### Mandatory

- Rated primary voltage
- Rated secondary voltage
- Rated output
- Accuracy class
- Frequency

#### Optional

- Offshore resistant
- Other relevant requirements

### Wiring Diagram IEC 61869-3



### Technical Specifications

<b>Environmental conditions</b>	
This product is designed to be safe under the following conditions:	
Location:	Outdoor use
Ambient air temperature:	-25°C .. +40°C; other temperatures on request
Storage and transport temperature:	-50°C .. +70°C
Relative humidity:	5% .. 95%, non condensing
Altitude:	Max. 1000m above NN; at >1000m data required
Protection degree (secondary terminal):	IP54
<b>Application conditions</b>	
Standard:	IEC 61869-3 / IEEE C57.13; etc.
IEC 61768-3 specification:	
Rated thermal limiting output (Sth):	500VA measuring winding 100VA residual winding
Rated voltage factor:	1,9 x Un for 8h; 1,2 x Un continuous
Rated insulation level:	17,5/38/95kV
Rated frequency:	50/60Hz
Class of insulation:	E
Rated primary voltage:	6/√3kV - 15/√3kV
Rated secondary voltage:	100/√3V or 110/√3V; other options available on request
Rated output:	As required. For example 10, 15, 30VA
Accuracy class:	As required. For example 0,2, 3P
Primary connection:	M10 (20Nm)
Pollution level:	7,2 kV – 17,5 kV very heavy 24 kV heavy
Creepage distance:	630 mm
Flash over distance:	320 mm
Secondary terminal box:	Sealable possible
Secondary terminal:	Screw terminals M5 (max. 2.5Nm)
Special model:	Secondary switch over

### Dimensions

