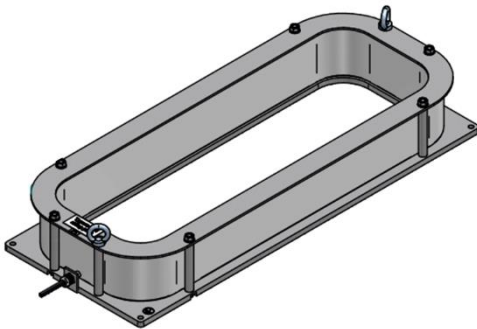


SBB – Bandaged Current Transformer in Assembly Set

The SBB are bandaged current transformers in assembly sets for installations in switchgears or cable cellars. The indoor current transformer can be used up to 0,72 kV and is maintenance-free and mountable in any position. The bandaged current transformer in assembly set can also be used for earth-fault detection. In medium voltage and high voltage switchgear, an insulated conductor must be used which suits the rated insulation levels.



Ordering Specifications

For the customized design of your ELEQ SBB Current Transformer the following information is required:

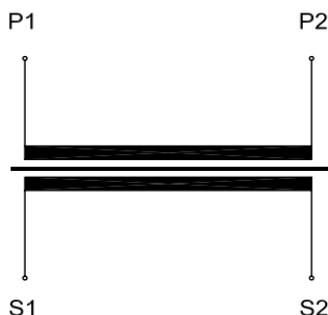
Mandatory

- Rated primary current
- Rated secondary current
- Rated output
- Accuracy class
- Frequency

Optional

- Terminal connection
- Earth-fault detection
- Other relevant requirements

Wiring diagram IEC 61869-2 for e.g.



Technical specifications

<i>Environmental conditions</i>	
This product is designed to be safe under the following conditions:	
Location:	Indoor use
Ambient air temperature:	-5°C .. +40°C; other temperatures on request
Storage and transport temperature:	-25°C .. +50°C
Relative humidity:	5% .. 95%, non condensing
Altitude:	Max. 1000m above NN; at >1000m data required
<i>Application conditions</i>	
Standard:	IEC 61869-2 / IEEE C57.13, etc.
IEC 61768-2 specification	
Rated short-time thermal current (I _{th}):	100 x I _n /1s, max. 100kA/1s, other duration on request
Rated dynamic current (I _{dyn}):	2,5 x I _{th}
Continuous thermal current (I _{cth}):	Up to 200%
Rated insulation level:	0,72/3/- kV
Rated frequency:	50/60Hz
Class of insulation:	E
Rated primary current:	60-3000A
Rated secondary current:	1A or 5A; other options available on request
Rated output:	As required. For example 0,2
Accuracy class:	As required. For example 5P20
Dimensions:	On request

Dimensions

