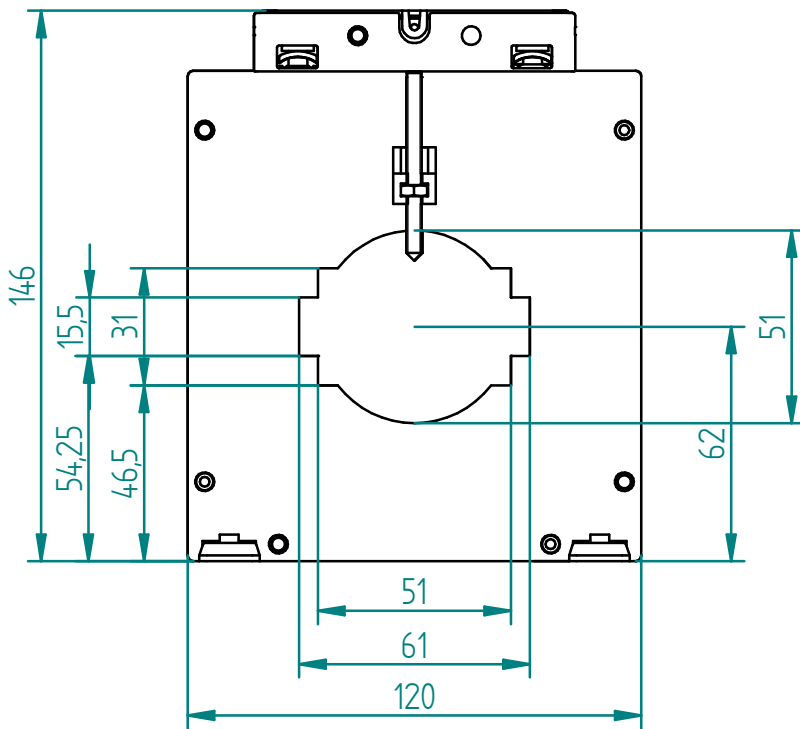


Type	Height (mm)
A	50
B	65
C	80



mastering electricity  
worldwide

Current transformer for cable and busbar

Model: (E)RM120-E6..

Reference: 463 RM120-E6

Scale: 1:2 Size: A4 Date: 9-1-2017

Designed: jsk Verified:

Norm/standard: ISO 2768-v www.eleq.com

Projection

