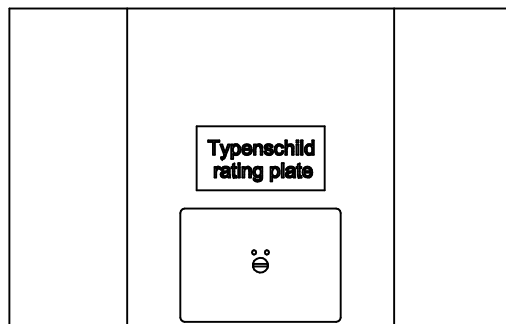
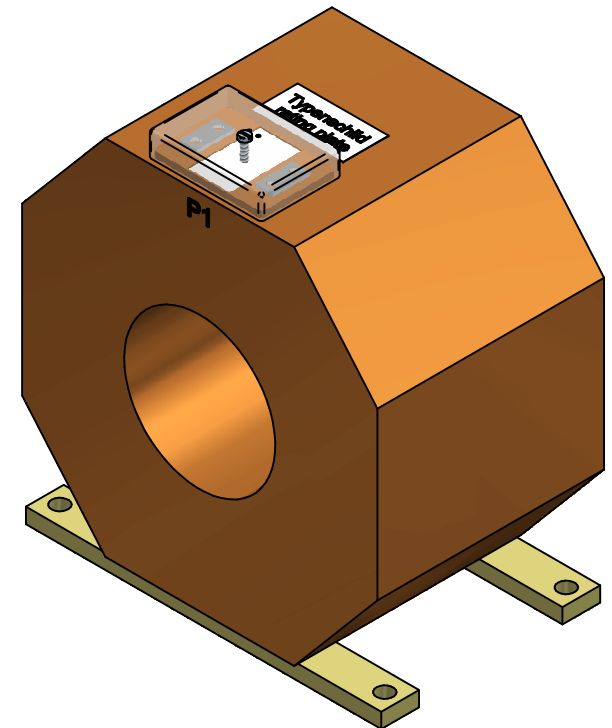


| Baugröße size | X | y | Typenschild Gr. rating plate size |
|---------------|-----|-----|-----------------------------------|
| A | 60 | 30 | 1 |
| B | 90 | 60 | 3 |
| C | 120 | 90 | 6 |
| D | 150 | 120 | 6 |
| E | 200 | 170 | 6 |
| F | 250 | 220 | 6 |
| G | 300 | 270 | 6 |



Geringe Maßabweichungen und Konstruktionsabweichungen vorbehalten!
Minor deviations in dimension and construction are possible!

| | | | | | | | | | |
|---|------------|--|------|--|-------------------------|--------------------|--|--------|--|
|  mastering electricity worldwide | | Verwendungsbereich/ Field of application: | | Innenraumaufstellung/ indoor use | | Gewicht/ Weight | | ca: kg | |
| | | GSA235 | | Gießharz-Kabelumbauwandler cast resin current transformer | | | | | |
| C | 3D-Modell | 11.02.2016 | fho2 | fho2 | 11.02.2016 | AA01 1 037 C | | | |
| B | Klemmen | 05.07.04 | St | Controlled | Date | | | | |
| A | Erstellung | 08.04.04 | St | Kaht | 11.02.2016 | | | | |
| Status | Alteration | Date | Name | Norm/Standard: ISO 2768-c | Ersatz für/Replaces: ZN | A3 | | | |
| | | | | | | 1:1 | | | |