

## TQ50 333mV Split-core Current Transformer

The very compact TQ50 split-core current transformer from ELEQ is especially designed for connection to digital measurement systems. The TQ50 is supplied with color coded leads. The accuracy class 1 for all these CT's are perfect for high accurate kWh measurements. Correct closing of the current transformer is guaranteed by a distinct sound of "click". For fixation two tie wraps are supplied that are easily mounted around the primary conductor.



### Technical Specifications

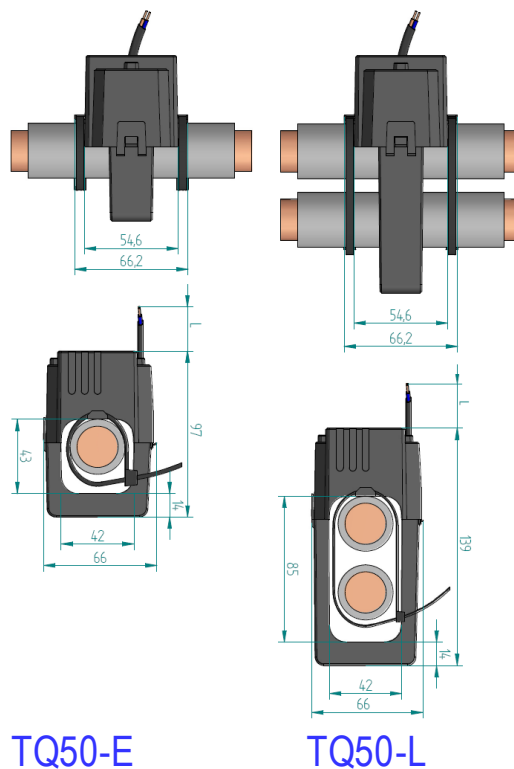
<b>Environmental conditions</b>	
This product is designed to be safe under the following conditions:	
Location:	Indoor use
Operating temperature:	-10°C .. +55°C
Relative humidity:	5% .. 85%, non condensing
Protection degree:	IP20
Only suitable for insulated primary conductors.	
<b>Application conditions</b>	
Standard:	IEC 61869-10 (LPCT)
Rated short-time thermal current:	40 x I <sub>n</sub> / 1s
Extended current:	120%
Rated insulation level:	0,72/3/5/-kV
Rated frequency:	50/60Hz
Class of insulation:	E (120°C)
Primary window dimensions:	TQ50-E max. Ø 42 mm TQ50-L max. 2 x Ø 42 mm
Secondary leads:	.../333mV: L=3m cable 0,50mm <sup>2</sup>

### Ordering Specifications

Ratio	Class	Burden	Article number TQ50-E	Article number TQ50-L
400A/333mV	1	2MΩ, 50pF	4P5R73	

For other specifications, please contact us at [sales@eleq.com](mailto:sales@eleq.com)

### Dimensions



### Wiring Diagram

