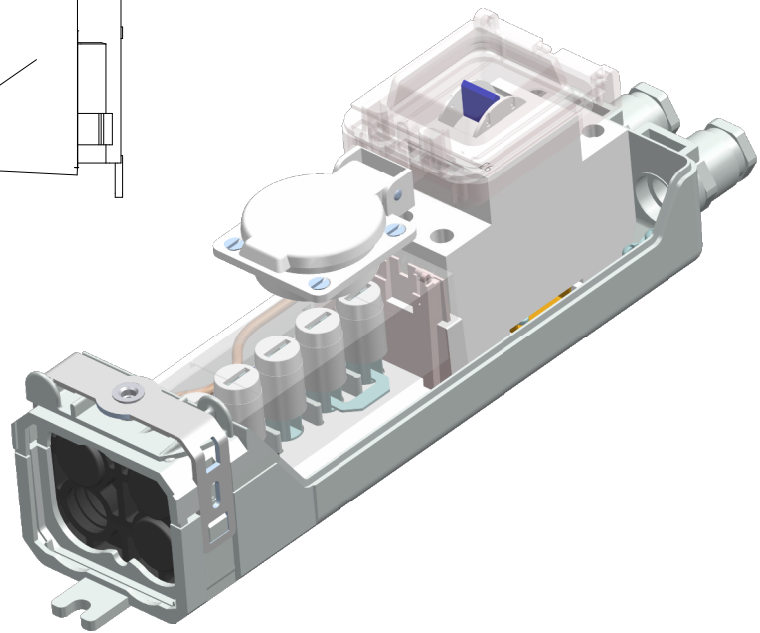
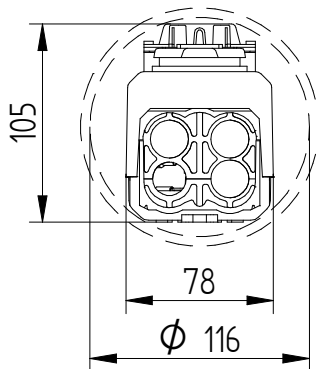
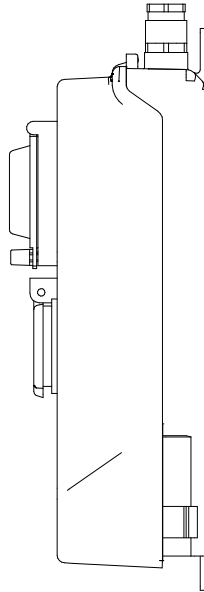
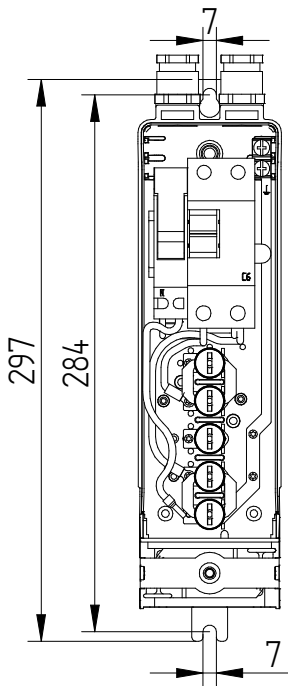


LS-100

5L8025



Specifications

Type	: LS-100
Article number	: 5L8025

Technical specifications

Minimum inside diameter	: 116 mm
Looping through	: Yes
Provided with	: Automatic 30mA 6A C-Characteristic
Suitable for	: 1x Fuse (10x38), max 16A
Number of terminals	: 5 Pcs; 3x phase, zero, Earth
Max. wire cross section	: 2x 16mm ²
Strain relief	: Yes, max. two ground cables 23mm and 2 lightmast cords
Earth-neutral connection	: Yes
Protection	: IP44

Details

Earth leakage circuit breaker accessible through sealable hinged cover
Socket with earth

Packing

12 Pcs in box or 216 Pcs per pallet
Deliverable from stock

Can be combined with

5L9970, 71, 72 : Profile for LS-100
5L9950 : Cable bending tool
5L9960 : Triangle key for LS-100